

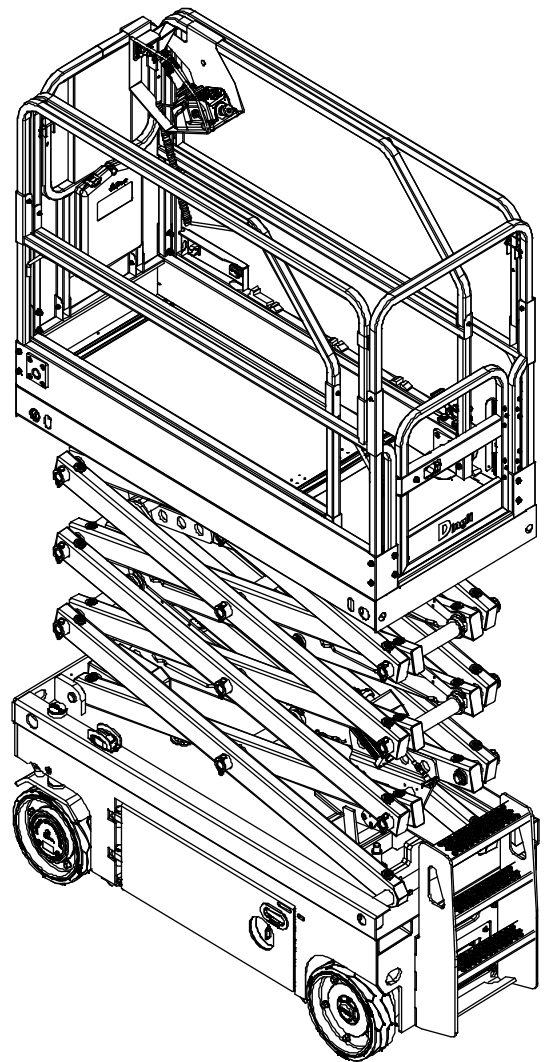
DINGLI

Exceed · New Height

Parts Manual

JCPT0807PA

From SN
JPPA023E00342



CE ANSI

Part Number: SM012120139

Version Number: Rev1.1

August 2023 Printing

DINGLI

Foreword

We are very appreciated for your interesting with Dingli machine and choosing it for your application. Our priority above all is you can use the machine safely for your application and you can benefit from the Dingli machine mostly. For these reason we hope you can:

1. Comply with employer, job site and local governmental rules.
2. Safeguard your commitment to quality by always using genuine Dingli spare parts. Remember, Dingli cannot accept responsibility for the failure of a separator equipped with non-original spare parts. We guarantee the quality and reliability of our products.
3. All sketch maps of parts shown in this manual are for reference only, it is the practical that counts. This manual includes all the latest information up to the date when it was printed. All responsibilities for the revision and explanation of the manual rest with the Dingli. We also preserve the right to edit the technology characteristic and content of the manual.
4. Anyone who read the manual or used the machine, is encouraged to notify Dingli Machinery Co, Ltd of any errors or send in suggestions for improvement. All communications will be carefully considered for future printings of this and other manuals, certainly if you have any question about the machine, please contact with our team by dialing technical support phone, sending email, or any methods you want, etc. Our contact information as bellow:

If you are in China Mainland, Please contact with:

Zhejiang Dingli Machinery Co.,Ltd. Domestic Office:

Phone: +86 572 8681766
Fax: +86 572 8681700
Email: sales@cndingli.com

If you are out of the China Mainland, Please contact with:

Zhejiang Dingli Machinery Co.,Ltd. International Office:

Phone: +86 572 8681688
Fax: +86 572 8681690
Email: export@cndingli.com

Table of Contents

Section 1 Chassis

101.1 Steer Linkage and Wheels Assembly	2
102.1 Pothole Protection Assembly	5
103.1 Battery Pack Module (Lead-acid Battery)	8
103.2 Battery Pack Module (Lithium Battery)	10
104.1 Power Unit Module	13
105.1 Ground Control and Cover Assembly	15
106.1 Rear Wheel and Ladder	17
107.1 Charger Assembly 1	19
107.2 Charger Assembly 2	20
107.3 Charger Assembly 3	21
108.1 Chassis Accessory Installation	22

Section 2 Scissor

201.1 Scissor Assembly	25
202.1 Electric Cylinder Assembly	28

Section 3 Platform

301.1 Main Platform Assembly	31
302.1 Platform Extension Assembly	33
303.1 Platform Locking Device Assembly	35
304.1 Platform Control Assembly	36
305.1 Platform Control Box Assembly	37
306.1 Protective Device Assembly (Option)	39

Section 4 Electrical System

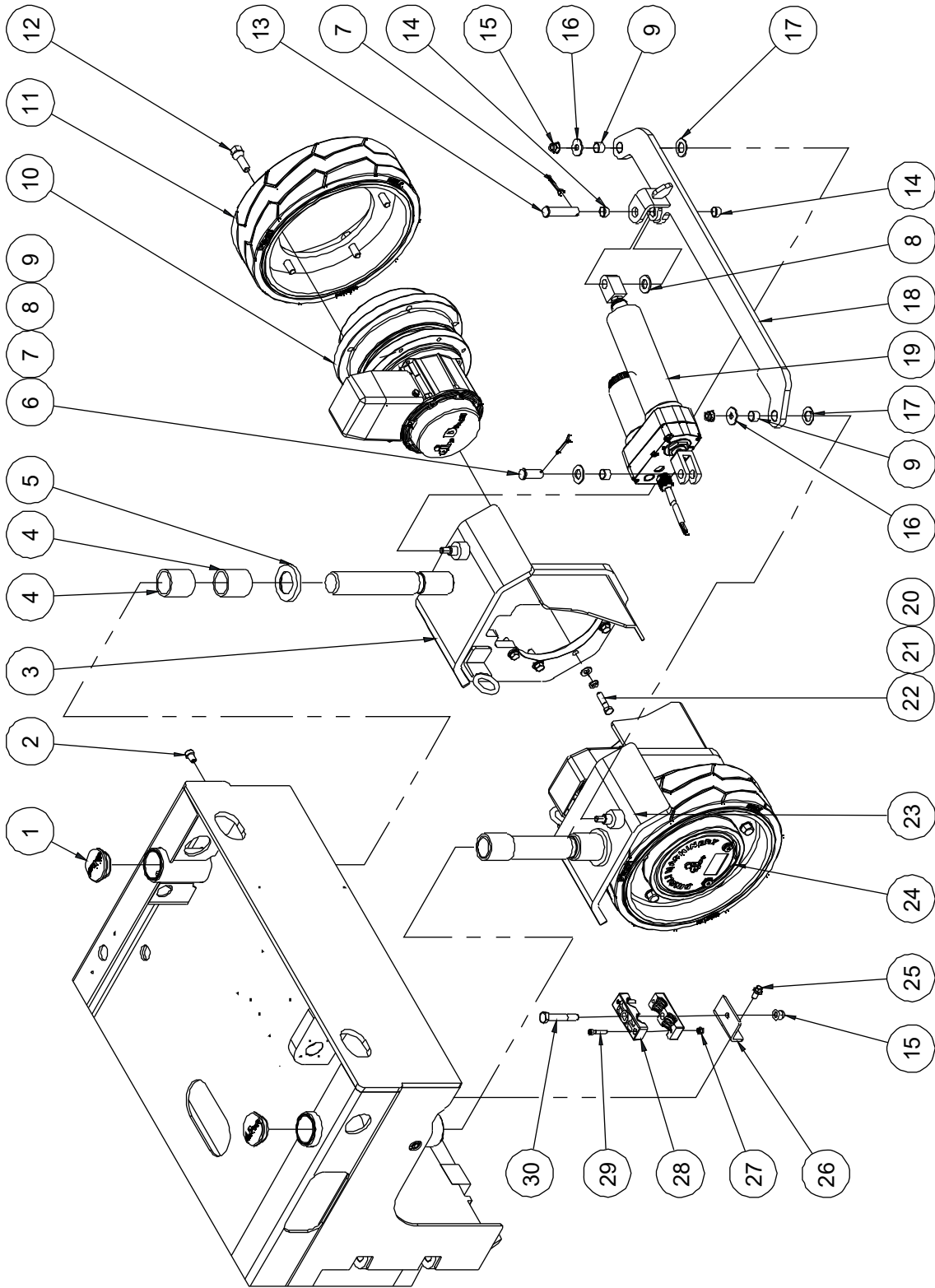
401.1 Electrical Harness (Lead-acid Battery)	42
401.2 Electrical Harness (Lithium Battery)	44
402.1 Power to Platform	46

Section 5 Decal

501.1 Decals with Words (CE)	49
501.2 Decals with Words (ANSI)	52
502.1 Decals with Symbols (CE)	55
502.2 Decals with Symbols (ANSI)	58

Section 1 Chassis

101.1 Steer Linkage and Wheels Assembly



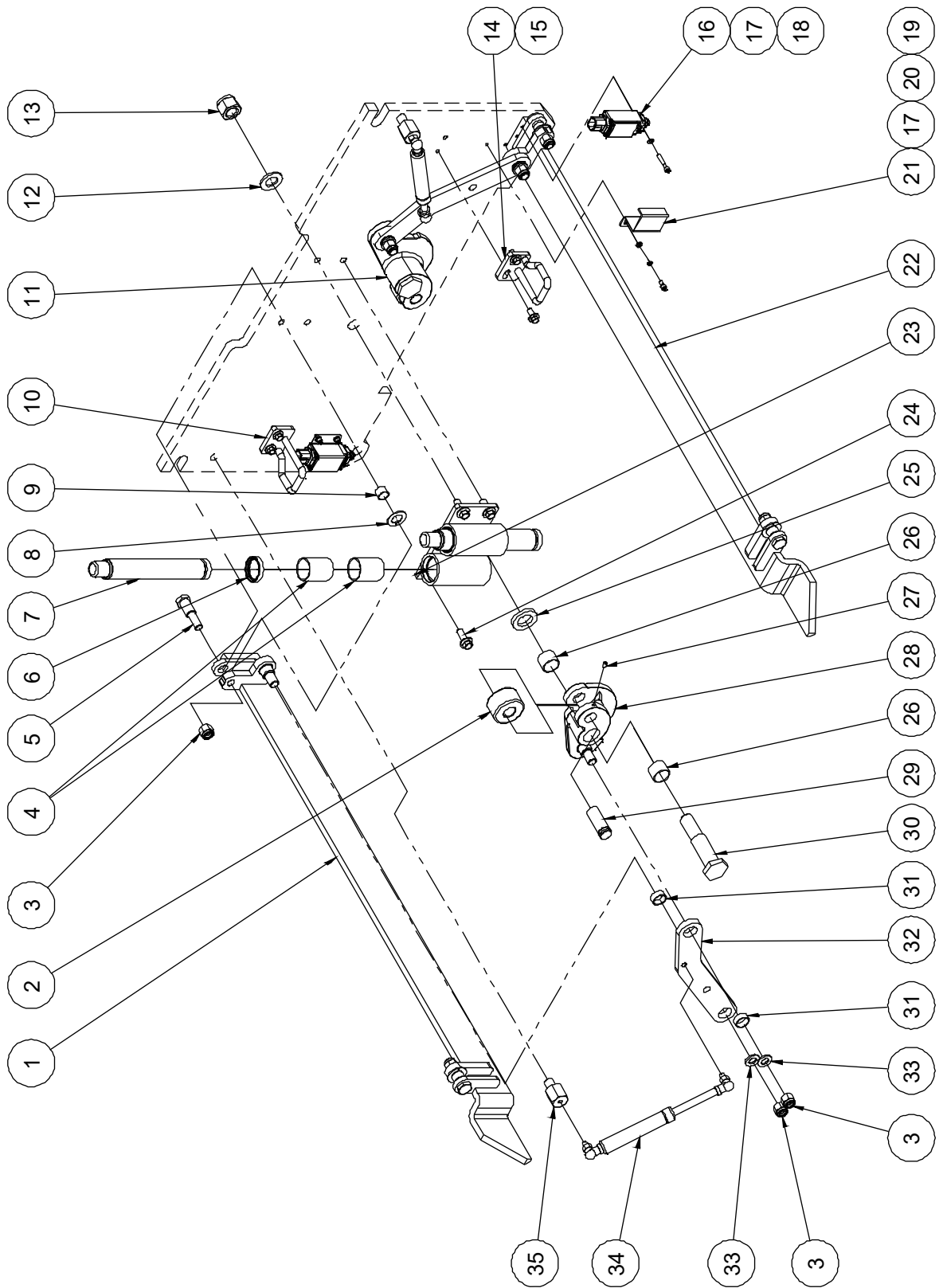
101.1 Steer Linkage and Wheels Assembly (JCPT0807HA)

Item	Part No.	Description	Qty.
1	10005628	Cover	2
2	10001073	Screw	2
3	10013720	Steer yoke weldment	1
4	00004004	8813-404850 Bearing	4
5	10004074	Washer	2
6	00000686	891-1634.5 Pin	1
7	00002079	Cotter pin GB/T 91 4×40	2
8	10001074	Washer	2
9	00000351	8812-161812 Bearing	3
10	10018131	Left drive motor assembly	1
--	10018132	Left motor cover	1
--	00008617	Drive motor assembly (includes motor, reducer and brake)	1
--	00008618	Motor (with brake)	1
--	00007122	Reducer	1
--	00007127	Brake	1
11	10015349	Wheel	2
12	10014971	Bolt	10
13	00009754	891-16061 Pin	1
14	00000350	8812-161808 Bearing	2
15	00002572	Nut GB/T 6183.1 M10	3
16	00001028	Washer GB/T 96.1 10	2
17	00000387	8832-18 Bearing	2
18	10022787	Tie rod	1
19	10020587	Electric cylinder unit (EV)	1
--	10025155	Electric cylinder	1
--	10025142	Motor	1
20	00005182	Washer ANSI B18.22.1 narrow 3/8	14
21	00005181	Washer ANSI B18.21.1 3/8	14
22	00006223	3/8-16×1 1/2" Bolt ANSI B18.2.1	14

101.1 Steer Linkage and Wheels Assembly

Item	Part No.	Description	Qty.
23	10013718	Steer yoke weldment	1
24	10018133	Right drive motor assembly	1
--	10018134	Right motor cover	1
--	00008617	Drive motor assembly (includes motor, reducer and brake)	1
--	00008618	Motor (with brake)	1
--	00007122	Reducer	1
--	00007127	Brake	1
25	00002872	Bolt QC/T 340 M8×16	2
26	10007359	Hose clamp support	1
27	00001033	Nut GB/T 6182 M6	2
28	10020335	Hose clamp	2
29	00001042	Screw GB/T 70.1 M6×30	2
30	10020347	Bolt	1

102.1 Pothole Protection Assembly



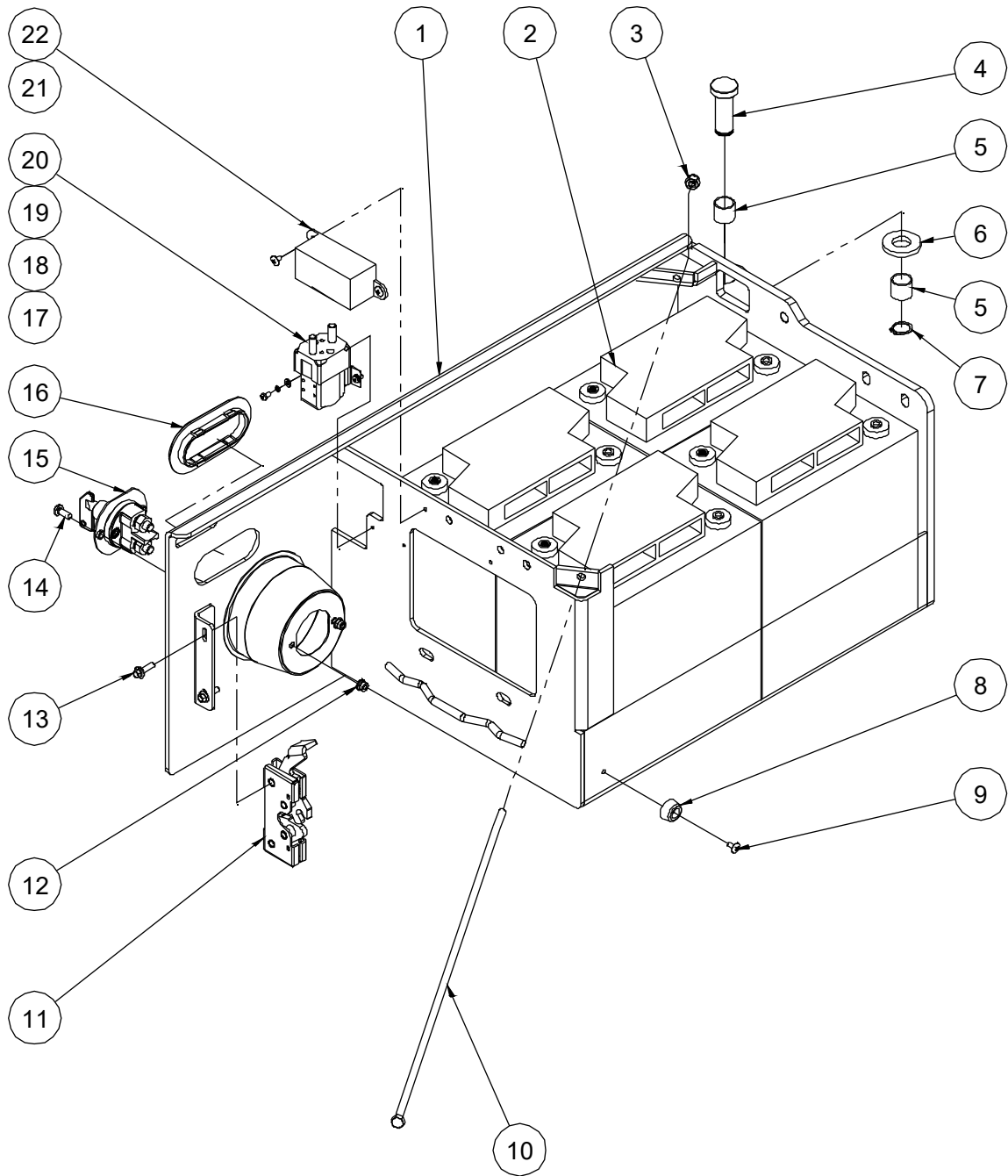
102.1 Pothole Protection Assembly

Item	Part No.	Description	Qty.
1	10022072	Pothole guard weldment	1
2	10000571	Roller	2
3	00001249	Nut GB/T 6182 M12	8
4	00000390	8812-323645 Bearing	4
5	10001062	Pin	4
6	00007483	Seal GB/T 13871.1 FB 32 40 7 III	2
7	10001881	Pothole hole pusher assembly	2
8	00000387	8832-18 Bearing	4
9	00000351	8812-161812 Bearing	4
10	10001066	Lock clasp	1
11	10000584	Linkage weldment	1
12	00001050	Washer GB/T 97.1 20	2
13	00001051	Nut GB/T 6182 M20	2
14	10001065	Lock clasp	1
15	00002872	Bolt QC/T 340 M8×16	4
16	00007930	Limit switch	2
17	00000605	Washer GB/T 97.1 5	8
18	00001253	Screw GB/T 70.1 M5×30	4
19	00001030	Screw GB/T 70.1 M5×10	4
20	00000606	Washer GB/T 93 5	4
21	10000042	Switch cover	2
22	10022074	Pothole guard weldment	1
23	10014583	Pothole guide	1
24	00002887	Bolt QC/T 340 M10×25	4
25	10000573	Washer	2
26	00000368	8812-252820 Bearing	4
27	00001039	Screw GB/T 78 M5×10	2
28	10000585	Linkage weldment	1
29	10000572	Pin	2

102.1 Pothole Protection Assembly

Item	Part No.	Description	Qty.
30	10000574	Pin	2
31	00000356	8812-202309 Bearing	4
32	10020569	Pothole link plate	2
33	00000814	Washer GB/T 97.1 12	4
34	10000038	Gas shock	2
35	10008255	Gas shock strut	2

103.1 Battery Pack Module (Lead-acid Battery)



103.1 Battery Pack Module (Lead-acid Battery)

Item	Part No.	Description	Qty.
1	10014389	Battery tray weldment	1
2	00008417	Battery	4
3	00001163	Nut GB/T 6182 M8	1
4	10001050	Hinge pin	2
5	00000359	8812-202320 Bearing	4
6	10001039	Washer	2
7	00000926	Circlips GB/T 894.1-20	2
8	10000376	Bumper	1
9	00000999	Screw GB/T 973 M5×10	1
10	10000538	Threaded rod	1
11	10000481	Latch (left)	1
12	00002574	Nut GB/T 6183.1 M6	2
13	00002866	Bolt QC/T 340 M6×20	2
14	00001986	Screw GB/T 818 M6×16 - H	2
15	00007337	Power switch	1
16	10000540	Handle hole ring	1
17	00002333	Screw GB/T 818 M4×8 - H	2
18	00000779	Washer GB/T 93 4	2
19	00000778	Washer GB/T 97.1 4	2
20	00002028	Contactoer	1
21	00001010	Screw GB/T 973 M5×8	2
22	00007674	250A Fuse assembly	1
--	00007641	250A Fuse	1
--	00007643	Fuse block	1

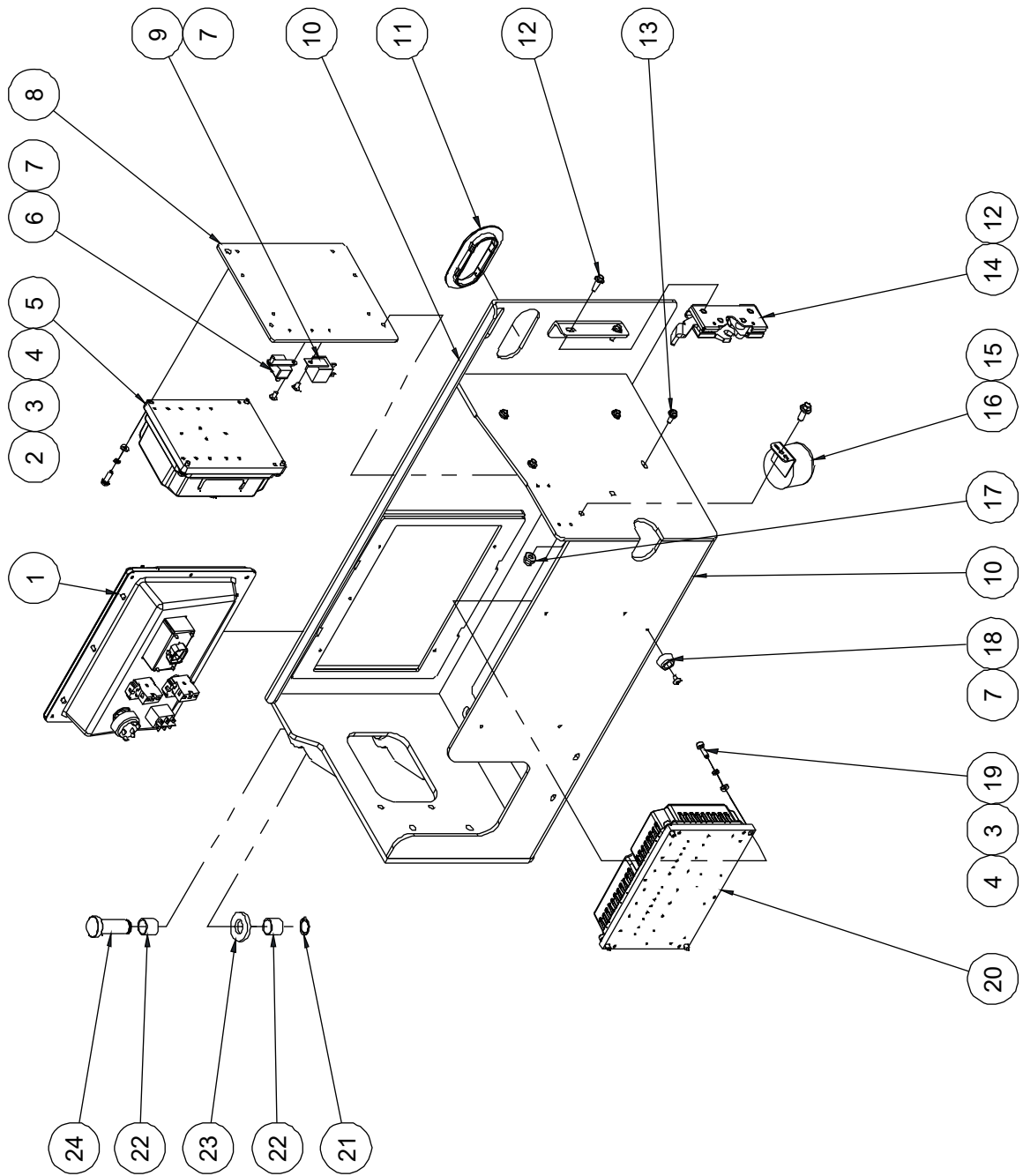
103.2 Battery Pack Module (Lithium Battery)

Item	Part No.	Description	Qty.
1	00001010	Screw GB/T 973 M5×8	2
2	00007674	250A Fuse assembly	1
--	00007641	250A Fuse	1
--	00007643	Fuse block	1
3	10014389	Battery tray weldment	1
4	10000538	Threaded rod	1
5	00001163	Nut GB/T 6182 M8	1
6	10001050	Hinge pin	2
7	00000359	8812-202320 Bearing	4
8	10001039	Washer	2
9	00000926	Circlips GB/T 894.1-20	2
10	00000615	Washer GB/T 97.1 10	2
11	00000679	Washer GB/T 93 10	2
12	00000678	Bolt GB/T 5783 M10×25	2
13	00000875	Bolt GB/T 5783 M8×20	4
14	00000609	Washer GB/T 93 8	4
15	00000608	Washer GB/T 97.1 8	4
16	10012890	Locating plate	1
17	00007777	Battery	1
18	00000999	Screw GB/T 973 M5×10	1
19	10000376	Bumper	1
20	00002574	Nut GB/T 6183.1 M6	2
21	10000481	Latch (left)	1
22	00002866	Bolt QC/T 340 M6×20	2
23	10016047	Cover	1
24	00001986	Screw GB/T 818 M6×16 - H	2
25	10000540	Handle hole ring	1
26	00002333	Screw GB/T 818 M4×8 - H	2
27	00000779	Washer GB/T 93 4	2

103.2 Battery Pack Module (Lithium Battery)

Item	Part No.	Description	Qty.
28	00000778	Washer GB/T 97.1 4	2
29	00002028	Contacto	1

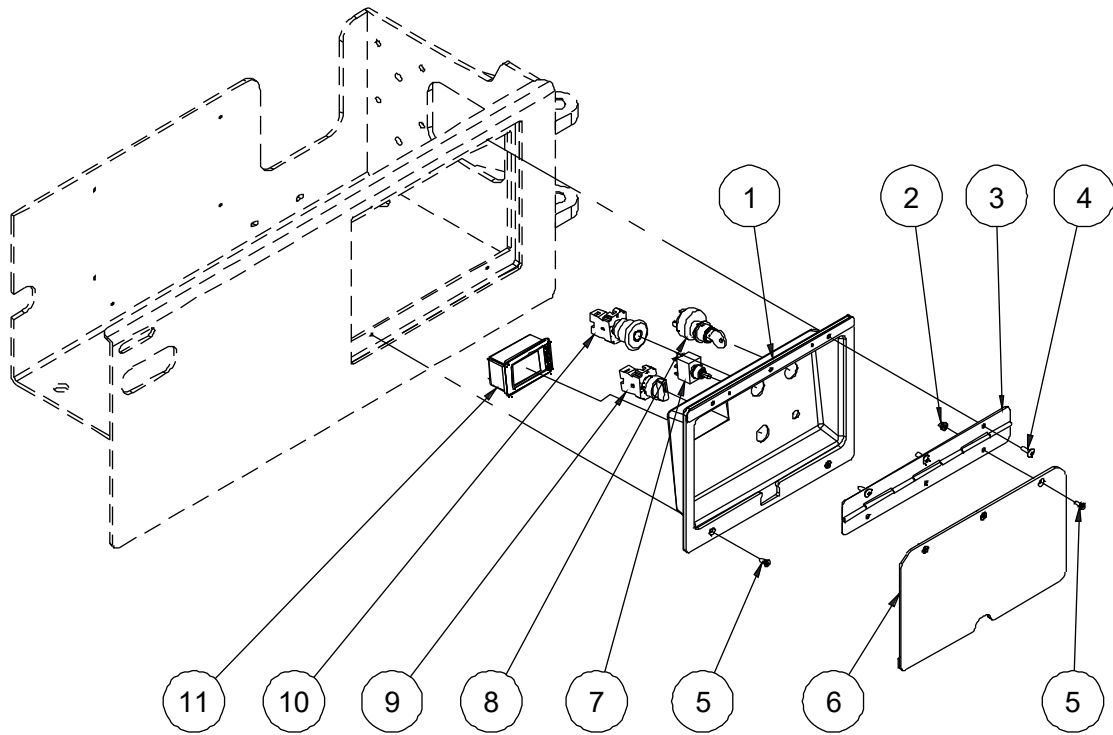
104.1 Power Unit Module



104.1 Power Unit Module

Item	Part No.	Description	Qty.
1		Ground control and cover assembly (refer to 105.1)	1
2	00000743	Bolt GB/T 5783 M6×20	4
3	00000621	Washer GB/T 93 6	8
4	00000620	Washer GB/T 97.1 6	8
5	00010221	Motor controller	1
6	00007331	Circuit breaker	1
7	00000999	Screw GB/T 973 M5×10	4
8	10020579	Mounting plate	1
9	00002561	Relay	1
10	10020575	Hydraulic tray weldment	1
11	10000540	Handle hole ring	1
12	00002866	Bolt QC/T 340 M6×20	2
13	00002865	Bolt QC/T 340 M6×14	4
14	10000480	Latch (right)	1
15	00002875	Bolt QC/T 340 M8×20 (JCPT0807AC)	1
16	00001244	Alarm	1
17	00002575	Nut GB/T 6183.1 M8	1
18	10000376	Bumper	1
19	00000774	Screw GB/T 70.1 M6×20	4
20	00010222	Motor controller	1
21	00000926	Circlips GB/T 894.1-20	2
22	00000359	8812-202320 Bearing	4
23	10001039	Washer	2
24	10001050	Hinge pin	2

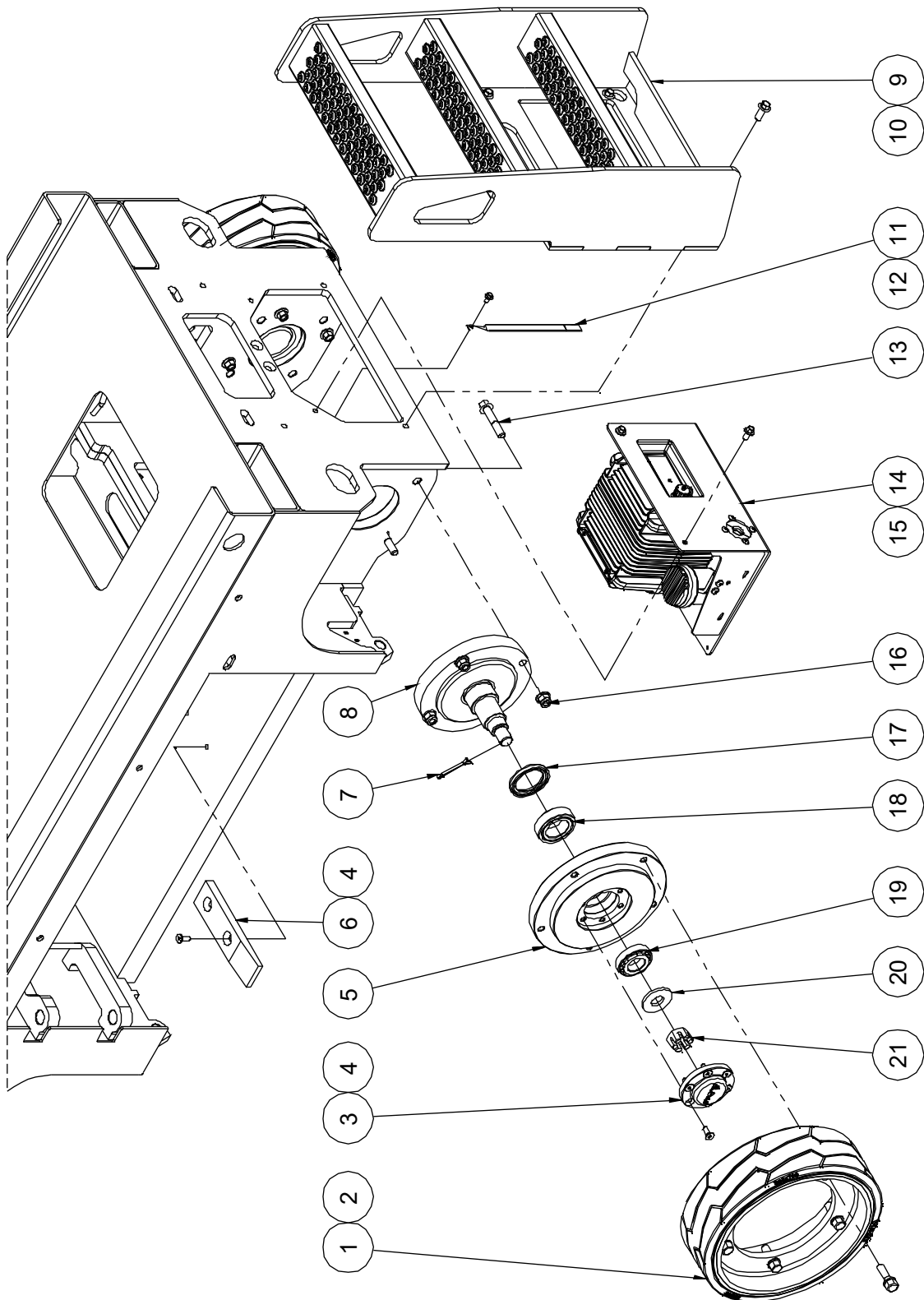
105.1 Ground Control and Cover Assembly



105.1 Ground Control and Cover Assembly

Item	Part No.	Description	Qty.
1	10020585	Ground control bracket	1
2	00002573	Nut GB/T 6183.1 M5	3
3	10016453	Hinge	1
4	00002523	Screw GB/T 973 M5×16	3
5	00002337	Screw GB/T 819 M5×12 - H	5
6	10015360	Cover	1
7	00000738	Toggle switch	1
8	00001243	Key switch (key removable in off position)	1
	00003356	Key switch (key removable in all position)	1
--	00003050	Key	1
9	00002565	Select switch	1
--	00002566	Select switch head	1
--	00002346	Base with 1 NO contact	1
10	00000921	Emergency stop switch	1
--	00000754	Red mushroom head	1
--	00000752	Base with 1 NC contact	1
11	00008262	Display	1

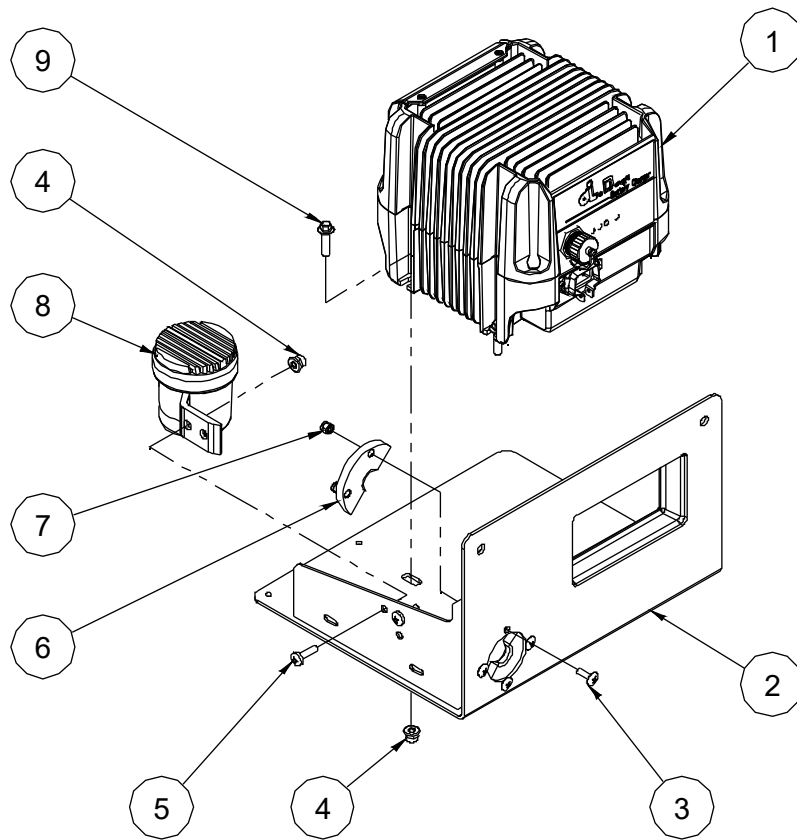
106.1 Rear Wheel and Ladder



106.1 Rear Wheel and Ladder

Item	Part No.	Description	Qty.
1	10015349	Wheel	2
2	10014971	Bolt	10
3	10000638	Cap	2
4	00000765	Screw GB/T 70.3 M8×20	16
5	10000639	Bearing seat	2
6	10000484	Spacer	2
7	00005416	Cotter pin GB/T 91 5×50	2
8	10003079	Spindle	2
9	10001988	Ladder (without circuit breaker bracket)	1
	10007306	Ladder (with circuit breaker bracket)	1
10	00002887	Bolt QC/T 340 M10×25	4
11	10000487	Ground strap	1
12	00002863	Bolt QC/T 340 M6×10	1
13	00006028	Bolt GB/T 16674 M12×65	8
14		Charger assembly (refer to 107.1, 107.2, 107.3)	1
15	00002872	Bolt QC/T 340 M8×16	2
16	00002576	Nut GB/T 6183.1 M12	8
17	00002081	Seal GB/T 13871.1 FB 50 70 8 III	2
18	00001971	Bearing 33008 GB/T 297	2
19	00001129	Bearing 30206 GB/T 297	2
20	10000637	Washer	2
21	00001884	Nut GB/T 9459 M22×1.5	2

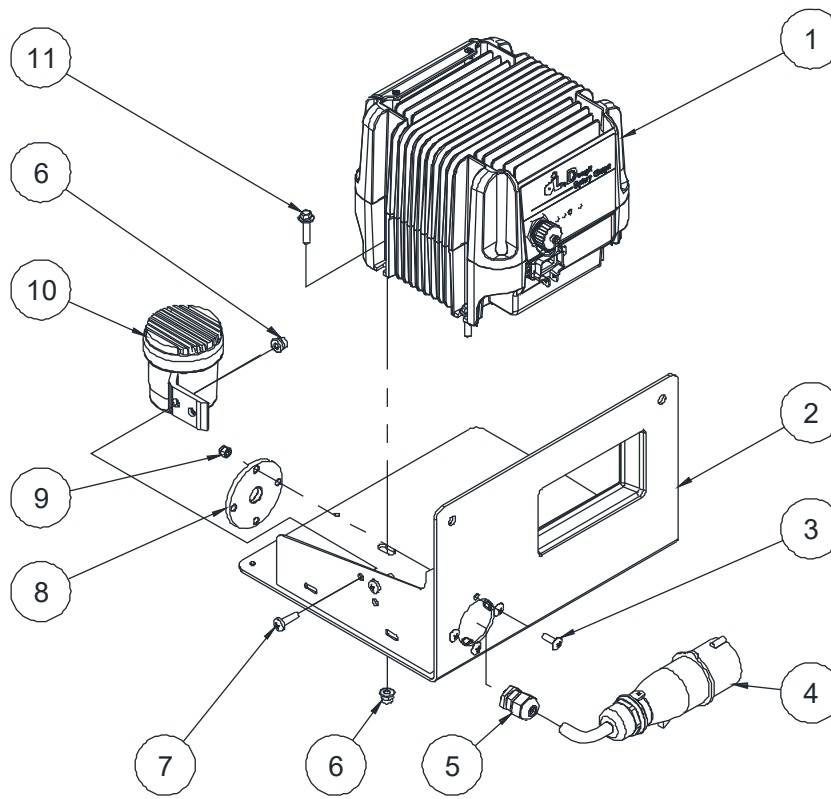
107.1 Charger Assembly 1



107.1 Charger Assembly 1

Item	Part No.	Description	Qty.
1	00000689	Charger (GPSC)	1
	00007684	Charger (EPC)	1
2	10015367	Charger bracket	1
3	00002523	Screw GB/T 973 M5×16	4
4	00002574	Nut GB/T 6183.1 M6	6
5	00001166	Screw GB/T 818 M6×20 - H	2
6	10000537	Half-round batten	2
7	00000613	Nut GB/T 6182 M5	4
8	00007687	Battery alarm (for 00000689 Charger)	1
	00007683	Battery alarm (for 00007684 Charger)	1
9	00002867	Bolt QC/T 340 M6×25	4

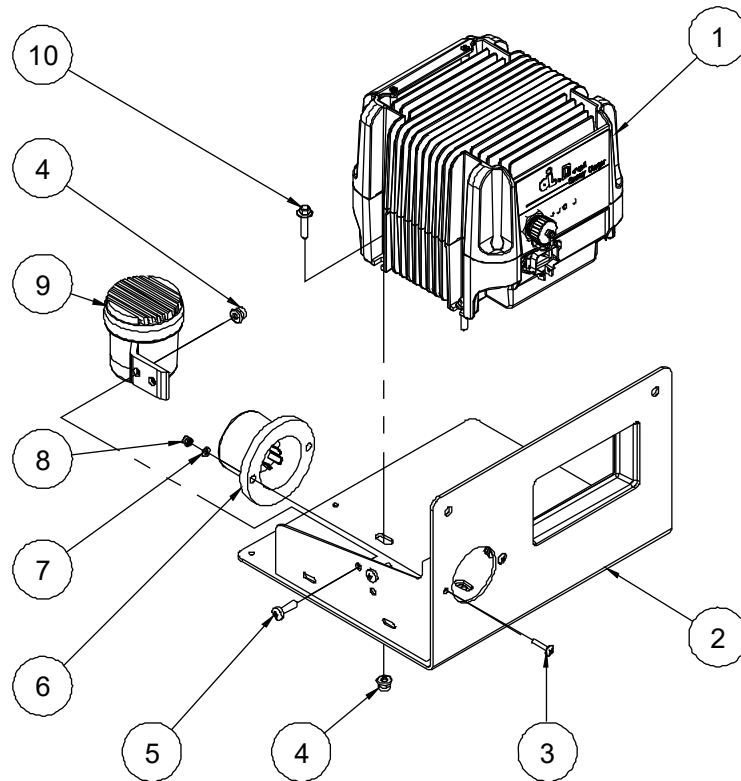
107.2 Charger Assembly 2



107.2 Charger Assembly 2

Item	Part No.	Description	Qty.
1	00000689	Charger (GPSC)	1
	00007684	Charger (EPC)	1
2	10015367	Charger bracket	1
3	00002523	Screw GB/T 973 M5×16	4
4	00002615	Plug	1
5	00001826	Water-proof joint M16	1
6	00002574	Nut GB/T 6183.1 M6	6
7	00001166	Screw GB/T 818 M6×20 - H	2
8	10001598	Mounting plate	1
9	00000613	Nut GB/T 6182 M5	4
	00007687	Battery alarm (for 00000689 Charger)	1
10	00007683	Battery alarm (for 00007684 Charger)	1
	00002867	Bolt QC/T 340 M6×25	4

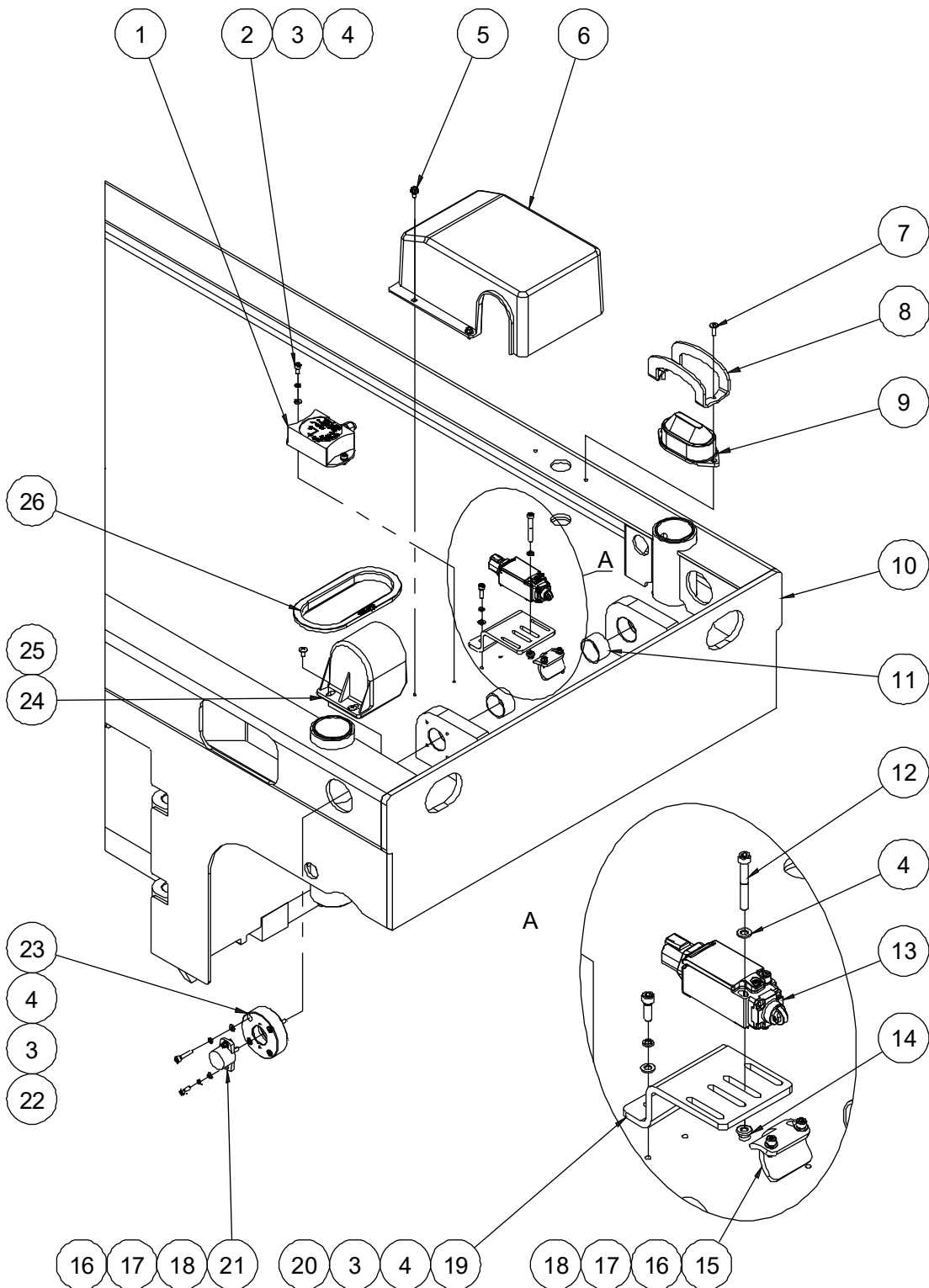
107.3 Charger Assembly 3



107.3 Charger Assembly 3

Item	Part No.	Description	Qty.
1	0000689	Charger (GPSC)	1
	00007684	Charger (EPC)	1
2	10017315	Charger bracket	1
3	00001006	Screw GB/T 973 M4×20	2
4	00002574	Nut GB/T 6183.1 M6	6
5	00001166	Screw GB/T 818 M6×20 - H	2
6	00002564	Plug	1
7	00000778	Washer GB/T 97.1 4	2
8	00001236	Nut GB/T 889.1 M4	2
9	00007687	Battery alarm (for 00000689 Charger)	1
	00007683	Battery alarm (for 00007684 Charger)	1
10	00002867	Bolt QC/T 340 M6×25	4

108.1 Chassis Accessory Installation

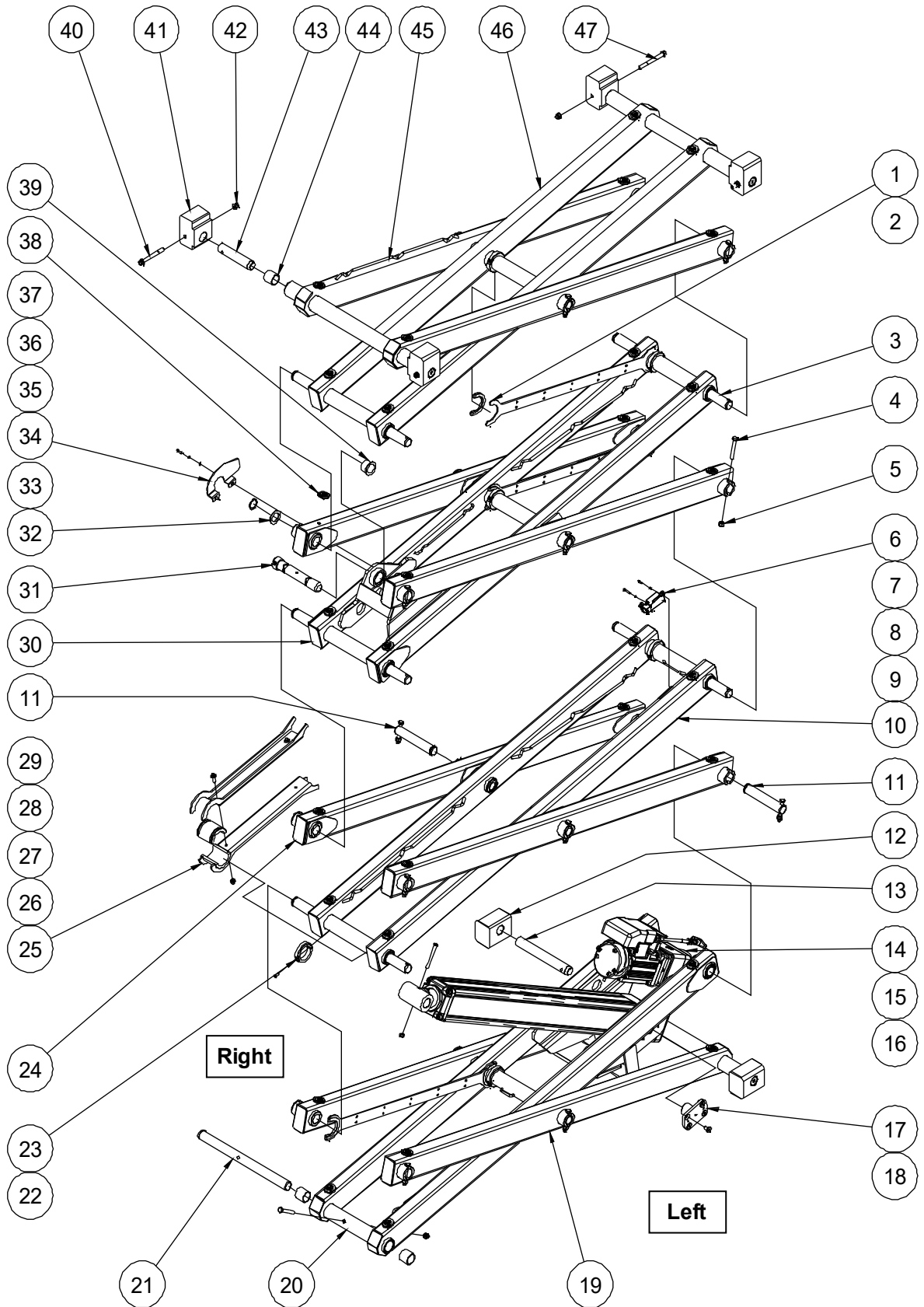


108.1 Chassis Accessory Installation

Item	Part No.	Description	Qty.
1	00000694	Tilt sensor	1
2	00001030	Screw GB/T 70.1 M5×10	2
3	00000606	Washer GB/T 93 5	8
4	00000605	Washer GB/T 97.1 5	10
5	00004298	Bolt GB/T 5789 M5×10	4
6	10007936	Cover	1
7	00002523	Screw GB/T 973 M5×16	2
8	10000488	Beacon cover	1
9	00000740	Beacon	1
10	10020562	Frame weldment	1
11	00000378	8812-323620 Bearing	2
12	00002392	Screw GB/T 70.1 M5×40	2
13	00007932	Limit switch	1
14	00002573	Nut GB/T 6183.1 M5	2
15	10009151	Signal plate	1
16	00001054	Screw GB/T 70.1 M4×12	4
17	00000779	Washer GB/T 93 4	4
18	00000778	Washer GB/T 97.1 4	4
19	10001004	Switch bracket	1
20	00001246	Screw GB/T 70.1 M5×16	2
21	00000644	Rotary sensor	1
22	00002484	Screw GB/T 70.1 M5×25	4
23	10002372	Sensor bracket	1
24	10018268	Sensor cover	1
25	00000999	Screw GB/T 973 M5×10	2
26	10018152	Sheath 2	1

Section 2 Scissor

201.1 Scissor Assembly



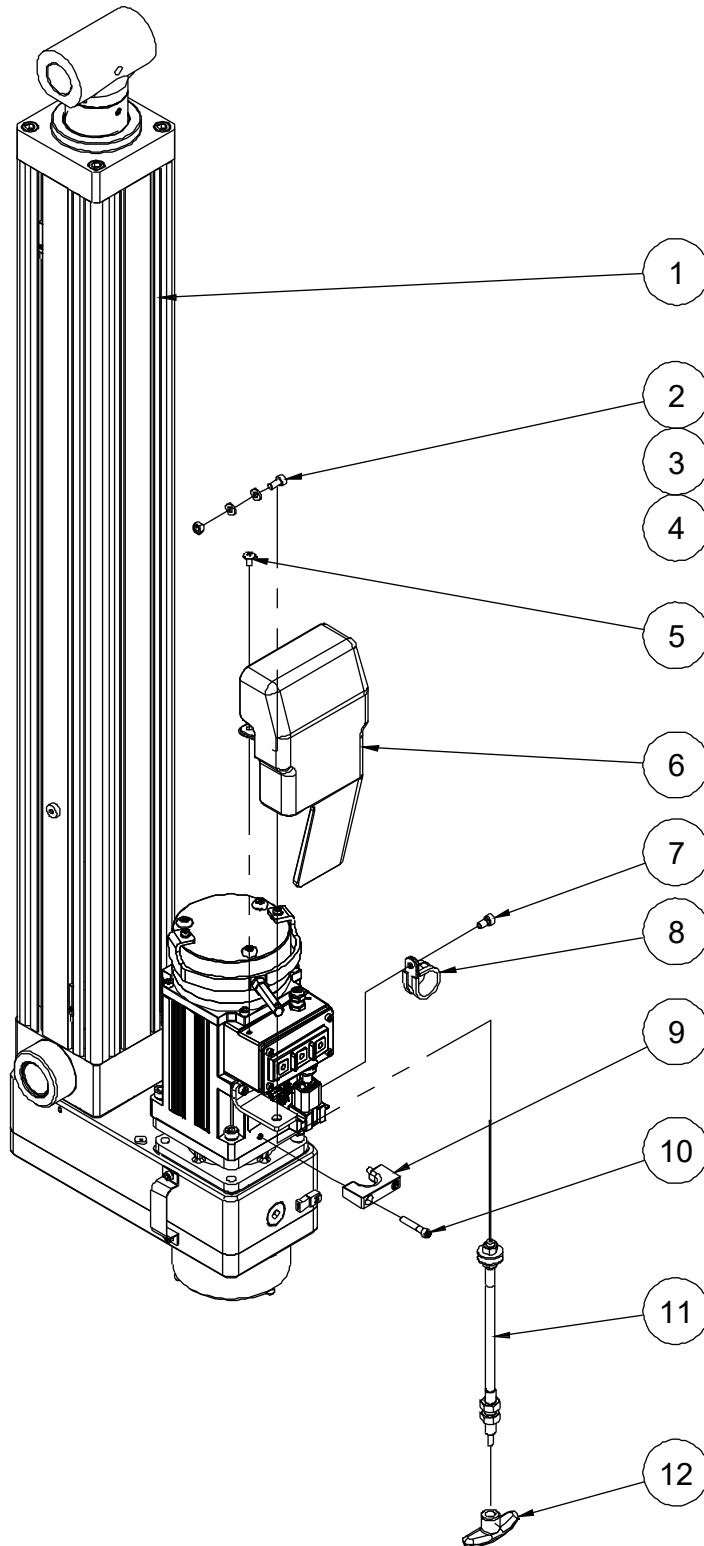
201.1 Scissor Assembly

Item	Part No.	Description	Qty.
1	10007634	Cable bridge	3
2	10011775	Clamp	6
3	00005294	898-32×512.5 Pin	8
4	00002512	Bolt GB/T 5782 M10×70	14
5	00000623	Nut GB/T 6182 M10	14
6	00000748	Limit switch	1
7	00001054	Screw GB/T 70.1 M4×12	2
8	00002228	Screw GB/T 70.1 M4×25	2
9	00000779	Washer GB/T 93 4	4
10	10027082	Inner arm 2	1
11	00000563	898-32×152.5Pin	4
12	10001181	Chassis slider	2
13	00005296	896B-32×25B Pin	2
14		Electric cylinder assembly (refer to 202.1)	1
15	00001026	Screw GB/T 5782 M8×80	1
16	00001163	Nut GB/T 6182 M8	1
17	10024668	Pin	2
18	00000845	Screw GB/T 70.3 M10×20	8
19	10007684	Outer arm 1	1
20	10027081	Inner arm 1	1
21	10014378	Pin	1
22	00000822	Screw GB/T 70.3 M5×16	6
23	10011772	Collar	6
24	10028347	Outer arm 2	2
--	10028349	Right single link	1
--	10028348	Left single link	1
25	10020619	Safety arm	1
26	10001184	Safety arm	1
27	10001183	Safety arm bushing	2

201.1 Scissor Assembly

Item	Part No.	Description	Qty.
28	00002876	Bolt QC/T 340 M8×25	2
29	00002575	Nut GB/T 6183.1 M8	2
30	10027083	Inner arm 3	1
31	10026991	Pin	1
32	10001182	Washer	12
33	00000932	Circlips GB/T 894.1-32	12
34	10022883	Baffle plate	1
35	00001246	Screw GB/T 70.1 M5×16	2
36	00000606	Washer GB/T 93 5	2
37	00000605	Washer GB/T 97.1 5	2
38	10000264	Block	32
39	00011194	8823-3227 Bearing	2
40	00002884	Bolt GB/T 16674 M10×100	2
41	10001186	Platform slider	4
42	00002572	Nut GB/T 6183.1 M10	4
43	00005297	896B-32×125Pin	4
44	00004135	8813-323835 Sleeve Bearing	30
45	10027085	Outer arm 3	1
46	10027084	Inner arm 4	1
47	00002891	Bolt GB/T 16674 M10×110	2

202.1 Electric Cylinder Assembly

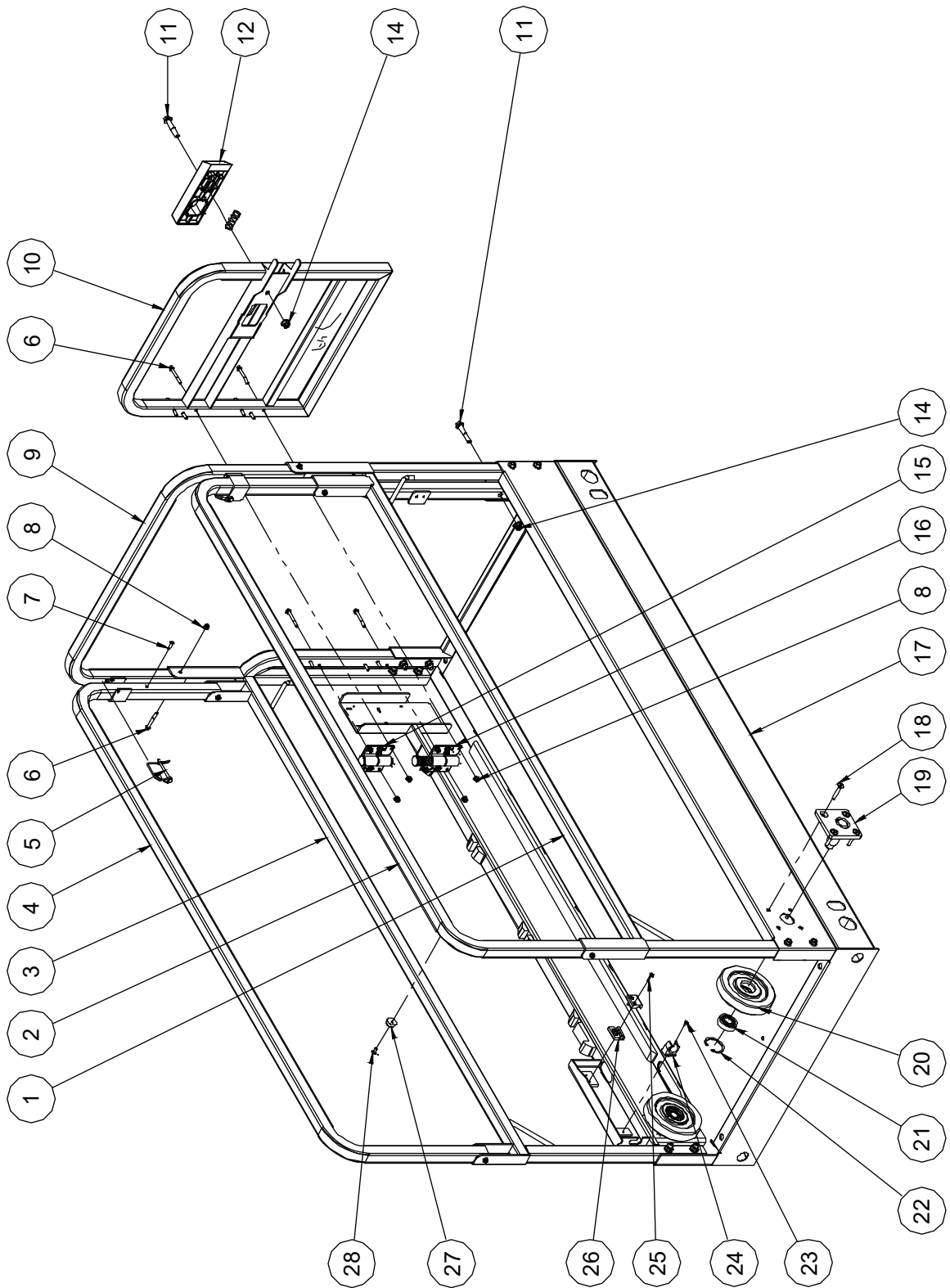


202.1 Electric Cylinder Assembly

Item	Part No.	Description	Qty.
1	10027725	Electric cylinder (HL)	1
--	00011643	Electric cylinder	1
--	00010682	Reducer	1
--	00010677	Motor	1
2	10001457	Screw	1
3	00000620	Washer GB/T 97.1 6	2
4	00002247	Nut GB/T 6170 M6	1
5	00000999	Screw GB/T 973 M5×10	3
6	10023689	Motor cover	1
7	00002029	Screw GB/T 70.1 M6×12	1
8	10023676	Clamp	1
9	10017978	Clamp	1
10	00001253	Screw GB/T 70.1 M5×30	2
11	10021773	Emergency down cable assembly	1
12	10000410	Lowering knob JB/T 7274.6 BM5×70	1

Section 3 Platform

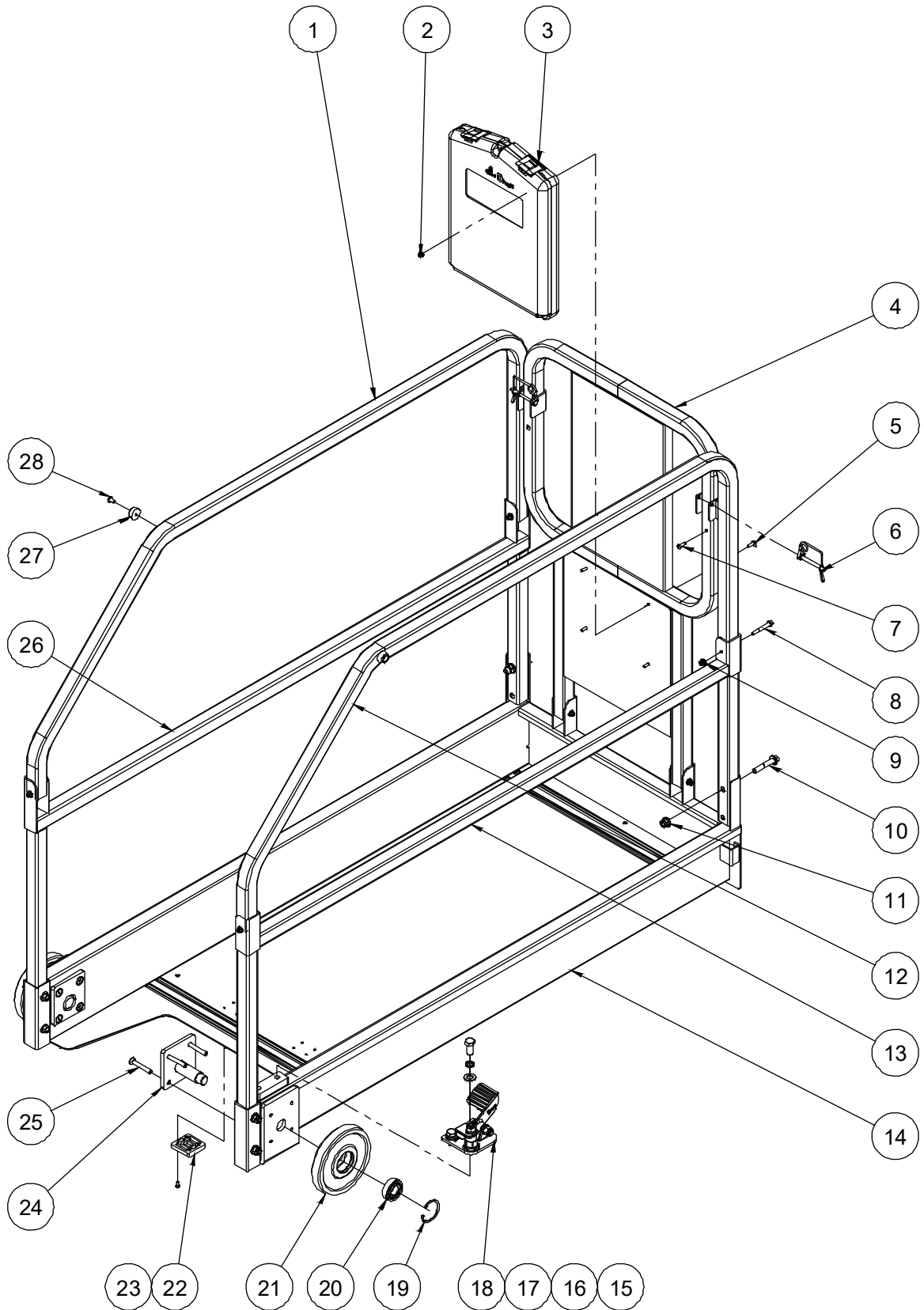
301.1 Main Platform Assembly



301.1 Main Platform Assembly

Item	Part No.	Description	Qty.
1	10010711	Lower main rail, left	1
2	10010710	Upper main rail, left	1
3	10010706	Lower main rail, right	1
4	10010709	Upper main rail, right	1
5	10001178	Inserted pin	2
6	00002581	Bolt GB/T 16674 M6×50	18
7	00001991	Rivet GB/T 12618.4 4.8×16	2
8	00002574	Nut GB/T 6183.1 M6	18
9	10010713	Rear rail	1
10	10010716	Entry gate	1
11	00002547	Bolt GB/T 16674 M10×55	13
12	10000331	Latch handle	1
13	10000367	Spring	1
14	00002572	Nut GB/T 6183.1 M10	13
15	10000299	Hinge A	1
16	10000302	Hinge B	1
17	10014381	Main deck weldment	1
18	00001154	Screw GB/T 70.3 M8×45	8
19	10000307	Roller bracket	2
20	10002031	Roller	2
21	00001295	Bearing GB/T 276-1994 - 6204	2
22	00000887	Circlips GB/T 893.1-47	2
23	00004385	Screw GB/T 823 M4×8	1
24	00001823	Clip 24	1
25	00002064	Screw GB/T 70.1 M4×20	2
26	10001776	Wire clip	2
27	10000376	Bumper	1
28	00001011	Screw GB/T 973 M5×12	1

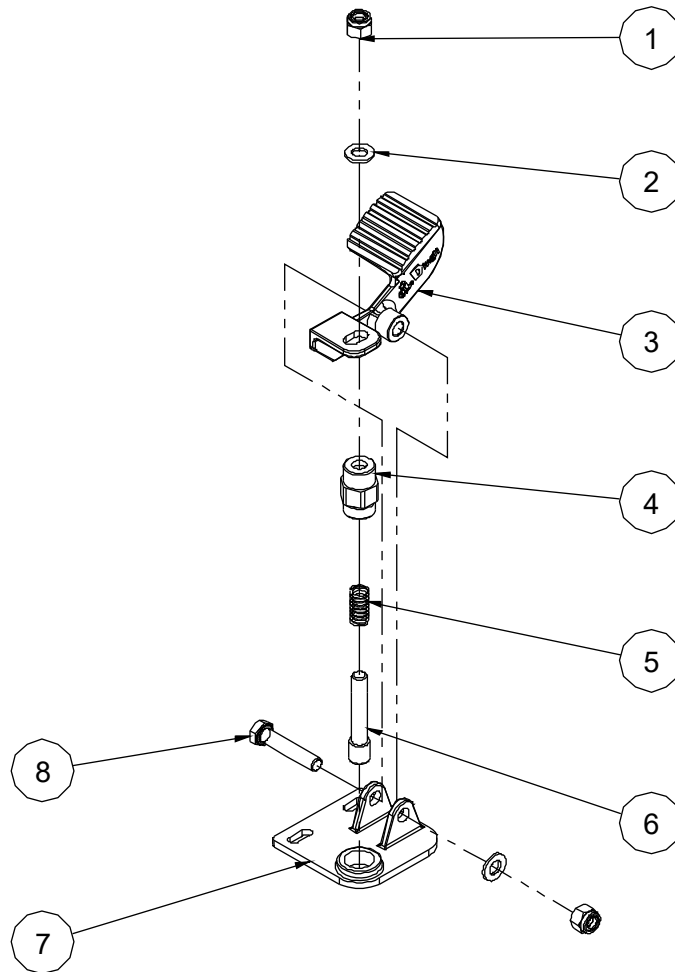
302.1 Platform Extension Assembly



302.1 Platform Extension Assembly

Item	Part No.	Description	Qty.
1	10010704	Upper extension rail, left	1
2	00002573	Nut GB/T 6183.1 M5	4
3	50000555	Manual box	1
4	10010719	Front rail	1
5	00002523	Screw GB/T 973 M5×16	4
6	10001178	Inserted pin	2
7	00001991	Rivet GB/T 12618.4 4.8×16	2
8	00002581	Bolt GB/T 16674 M6×50	6
9	00002574	Nut GB/T 6183.1 M6	6
10	00002547	Bolt GB/T 16674 M10×55	6
11	00002572	Nut GB/T 6183.1 M10	6
12	10010699	Upper extension rail, right	1
13	10010694	Lower extension rail, right	1
14	10014382	Extension deck weldment	1
15	00000816	Bolt GB/T 5783 M12×25	2
16	00000815	Washer GB/T 93 12	2
17	00000814	Washer GB/T 97.1 12	2
18	10012174	Platform locking device assembly (refer to 303.1)	1
19	00000887	Circlips GB/T 893.1-47	2
20	00001295	Bearing GB/T 276-1994 - 6204	2
21	10000305	Roller 2	2
22	10000046	Slide pad	2
23	00000821	Screw GB/T 70.3 M5×12	8
24	10000307	Roller bracket	2
25	00001155	Screw GB/T 70.3 M8×55	8
26	10010698	Lower extension rail, left	1
27	10000376	Bumper	2
28	00001011	Screw GB/T 973 M5×12	2

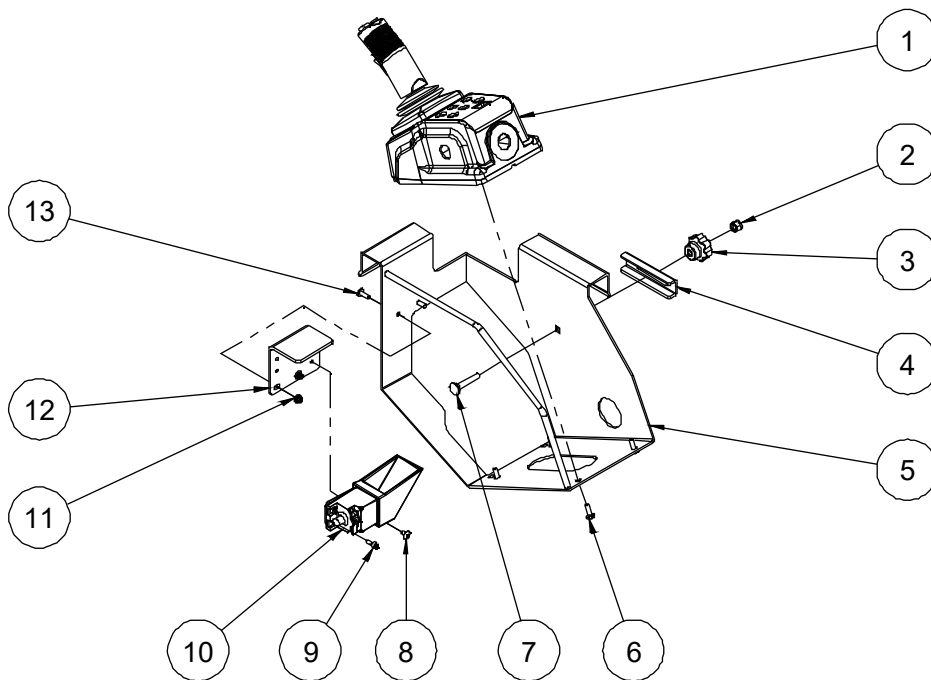
303.1 Platform Locking Device Assembly



303.1 Platform Locking Device Assembly

Item	Part No.	Description	Qty.
1	00000623	Nut GB/T 6182 M10	2
2	00000615	Washer GB/T 97.1 10	2
3	10000334	Foot pedal	1
4	10000337	Lock pin housing	1
5	10000336	Spring	1
6	10000338	Lock pin	1
7	10012175	Bracket	1
8	00002030	Bolt GB/T 5782 M10×50	1

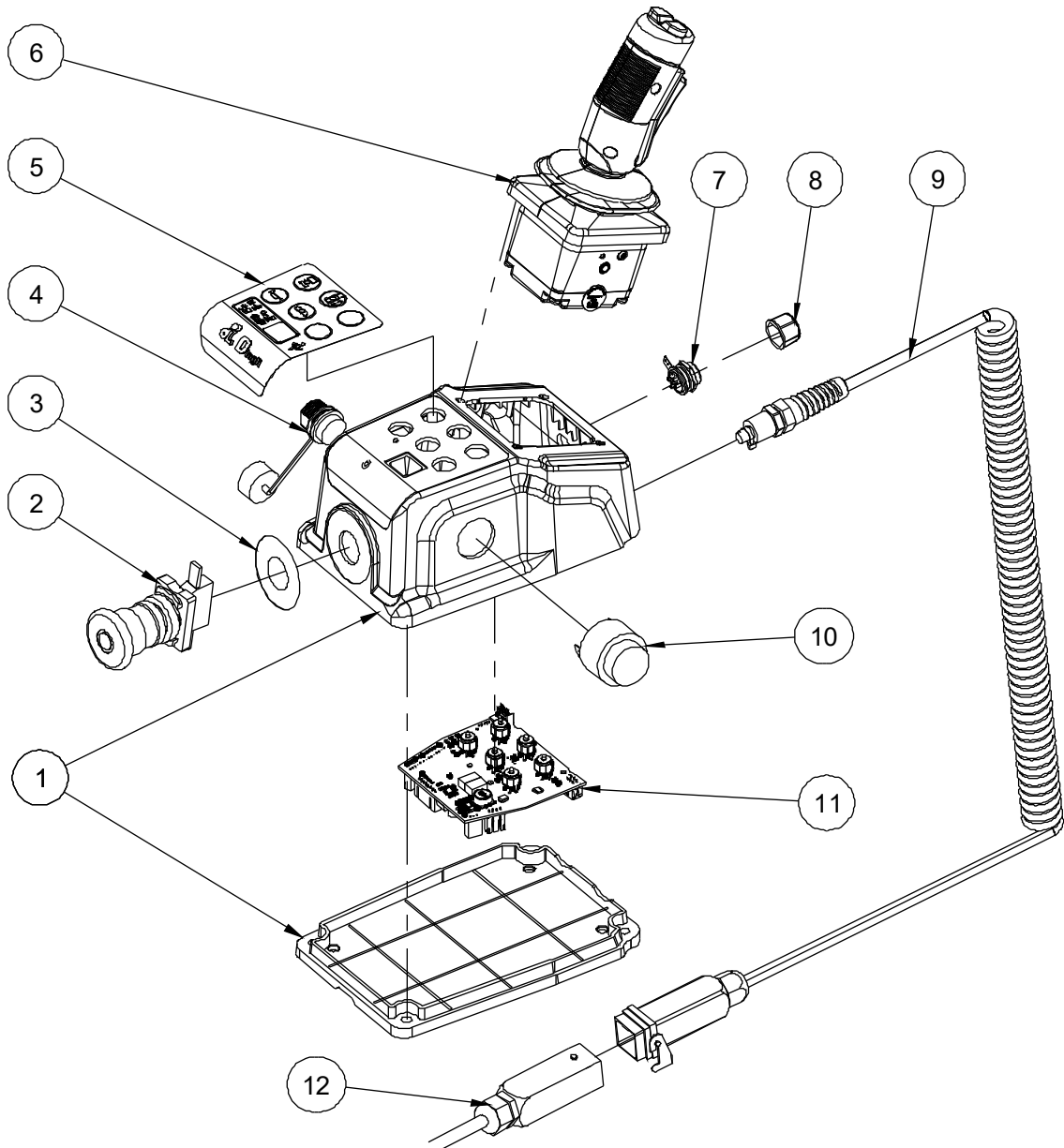
304.1 Platform Control Assembly



304.1 Platform Control Assembly

Item	Part No.	Description	Qty.
1	00007739	Platform control box assembly (refer to 305.1)	1
2	00001163	Nut GB/T 6182 M8	1
3	10004827	Handle	1
4	10002023	Locating plate	1
5	10000390	Platform control box mount bracket	1
6	00001986	Screw GB/T 818 M6×16 - H	4
7	00004384	Bolt GB/T 801 M8×45	1
8	00001010	Screw GB/T 973 M5×8 (option)	1
9	00001252	Screw GB/T 70.1 M5×12 (option)	2
10	00006871	Ultrasonic sensor (option)	1
11	00002573	Nut GB/T 6183.1 M5 (option)	2
12	10012853	Sensor bracket (option)	1
13	00002523	Screw GB/T 973 M5×16 (option)	2

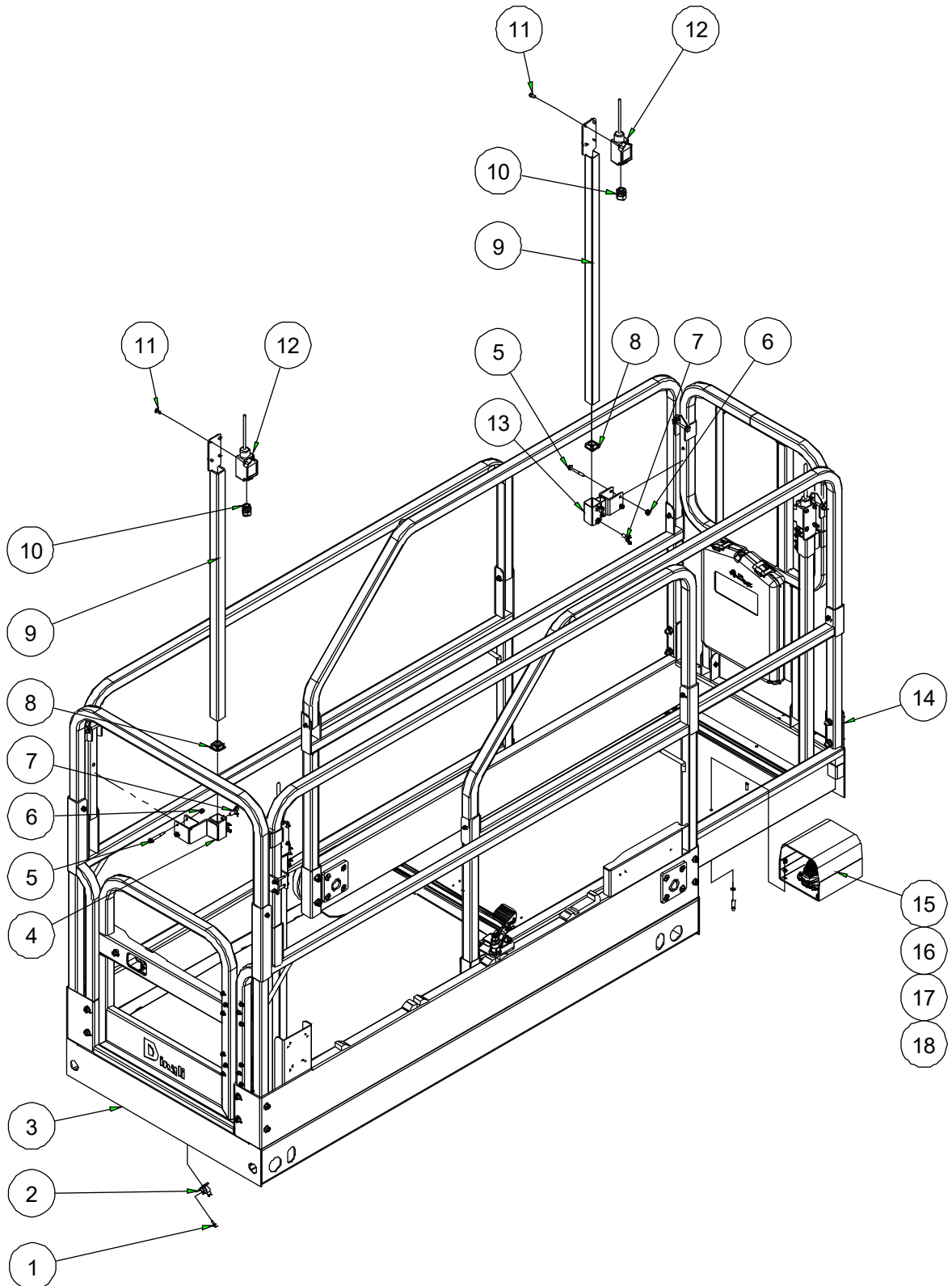
305.1 Platform Control Box Assembly



305.1 Platform Control Box Assembly

Item	Part No.	Description	Qty.
1	00008649	Shell components	1
2	00000713	Emergency stop switch	1
--	00003045	Red mushroom head	1
--	00003046	Base with 1 NO contact	1
3	00002328	Decal, Emergency stop panel	1
4	00008650	USB Cable	1
5	00008646	Decal, Platform control panel	1
6	00009010	Joystick	1
--	00003033	Function enable switch	1
--	00009012	Joystick cover	1
--	00003035	Joystick steer switch	1
--	00003036	Switch boot	1
7	00008651	Connector	1
8	00008652	Connector Cap	1
9	00008647	Coil cord	1
--	00007855	Hood	1
--	00007856	Female insert	1
--	00007857	Female contacts	5
--	00003043	Cable gland	1
10	00000712	Alarm	1
11	00008648	PCU Main board	1
12	00007691	Platform control box harness	1
--	00008172	Housing	1
--	00008174	Male insert	1
--	00008642	Male contacts	5
--	00003043	Cable gland	1

306.1 Protective Device Assembly (Option)

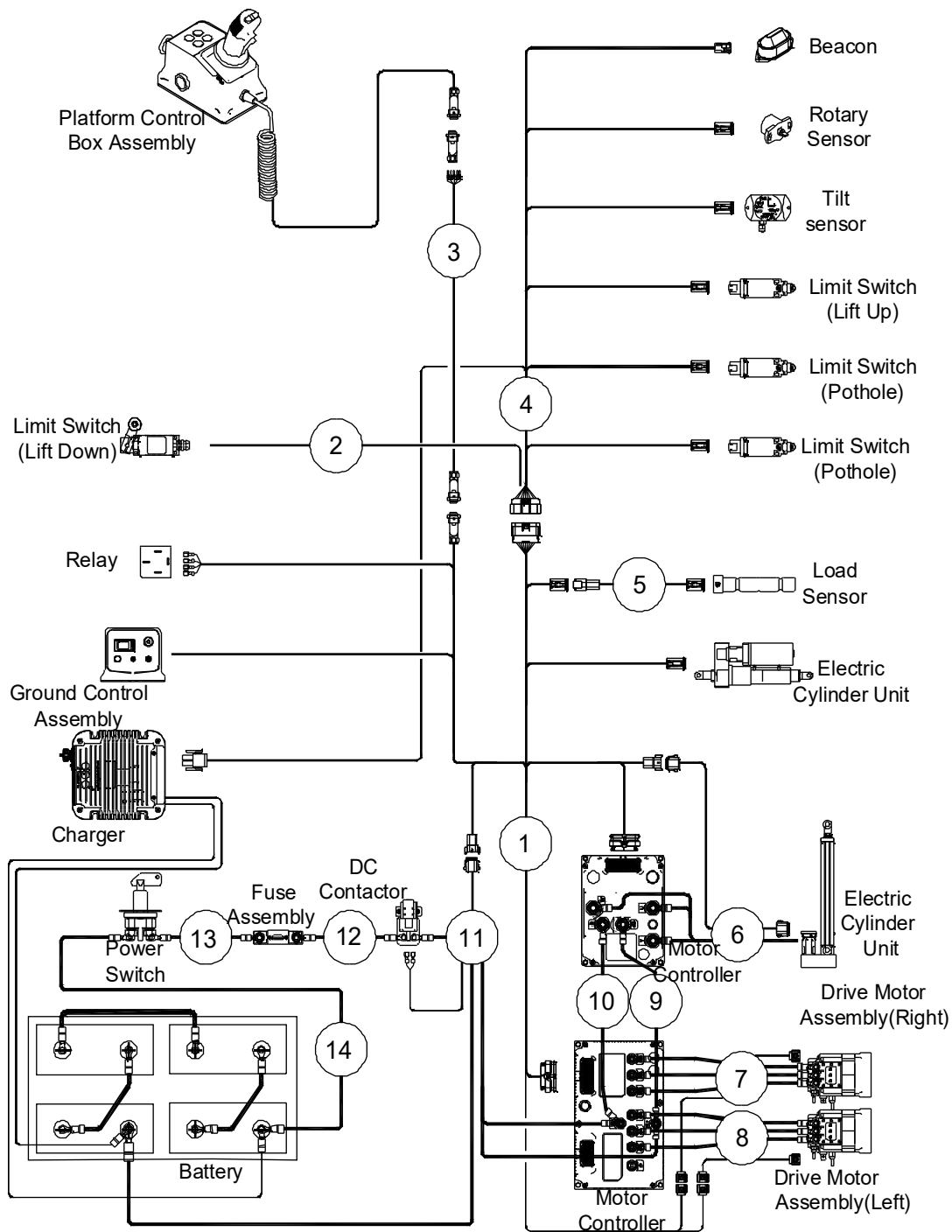


306.1 Protective Device Assembly (Option)

Item	Part No.	Description	Qty.
1	00003950	Screw GB/T 819 M4×10 - H	1
2	00002758	Wire clip	1
3	10017136	Main deck weldment	1
4	10001714	Bracket	2
5	00002581	Bolt GB/T 16674 M6×50	8
6	00002574	Nut GB/T 6183.1 M6	8
7	00002586	Screw M8×16	8
8	10003413	Plug	4
9	10001704	Switch rod	4
10	00001827	Water-proof joint M18	4
11	00001060	Screw GB/T 818 M6×12 - H	16
12	00002606	Limit switch	4
13	10001701	Bracket	2
14	10017137	Extension deck weldment	1
15	00007858	Footswitch	1
16	00001034	Screw GB/T 70.1 M6×25	4
17	00000620	Washer GB/T 97.1 6	8
18	00001033	Nut GB/T 6182 M6	4

Section 4 Electrical System

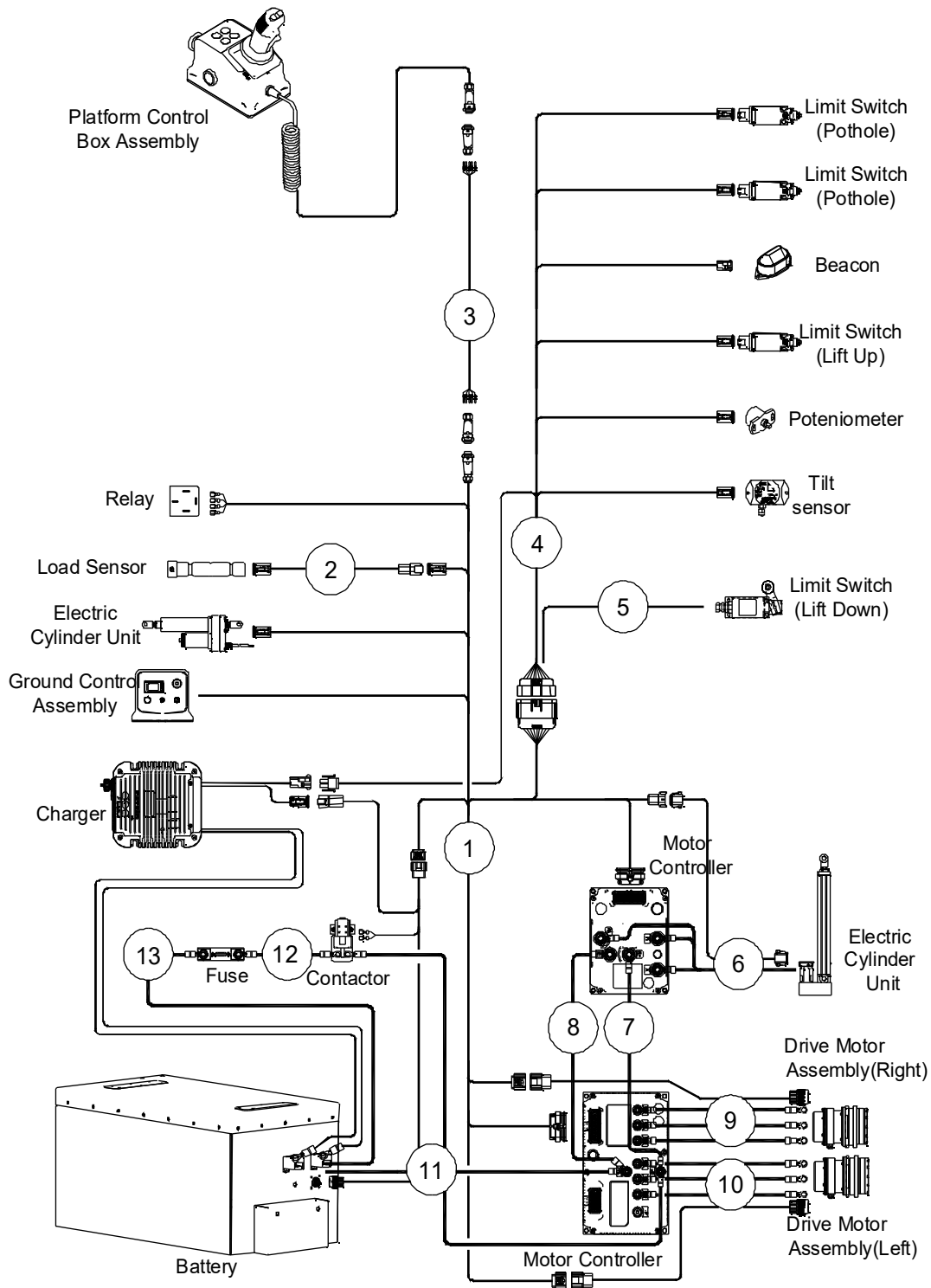
401.1 Electrical Harness (Lead-acid Battery)



401.1 Electrical Harness (Lead-acid Battery)

Item	Part No.	Description	Qty.
1	00009198	ECU harness	1
2	00009745	Lift down limit switch harness	1
3	00007691	Platform control box harness	1
4	00009744	Sensor and limit harness	1
5	00010474	Load sensor harness	1
5	00009203	Lift motor harness	1
7	00011086	Drive motor harness, right	1
8	00011085	Drive motor harness, left	1
9	00009205	Lift motor controller positive harness	1
10	00009206	Lift motor controller negative harness	1
11	00009201	Power harness	1
12	00008000	Power harness	1
13	00007752	Power harness	1
14	00007676	Power harness	1

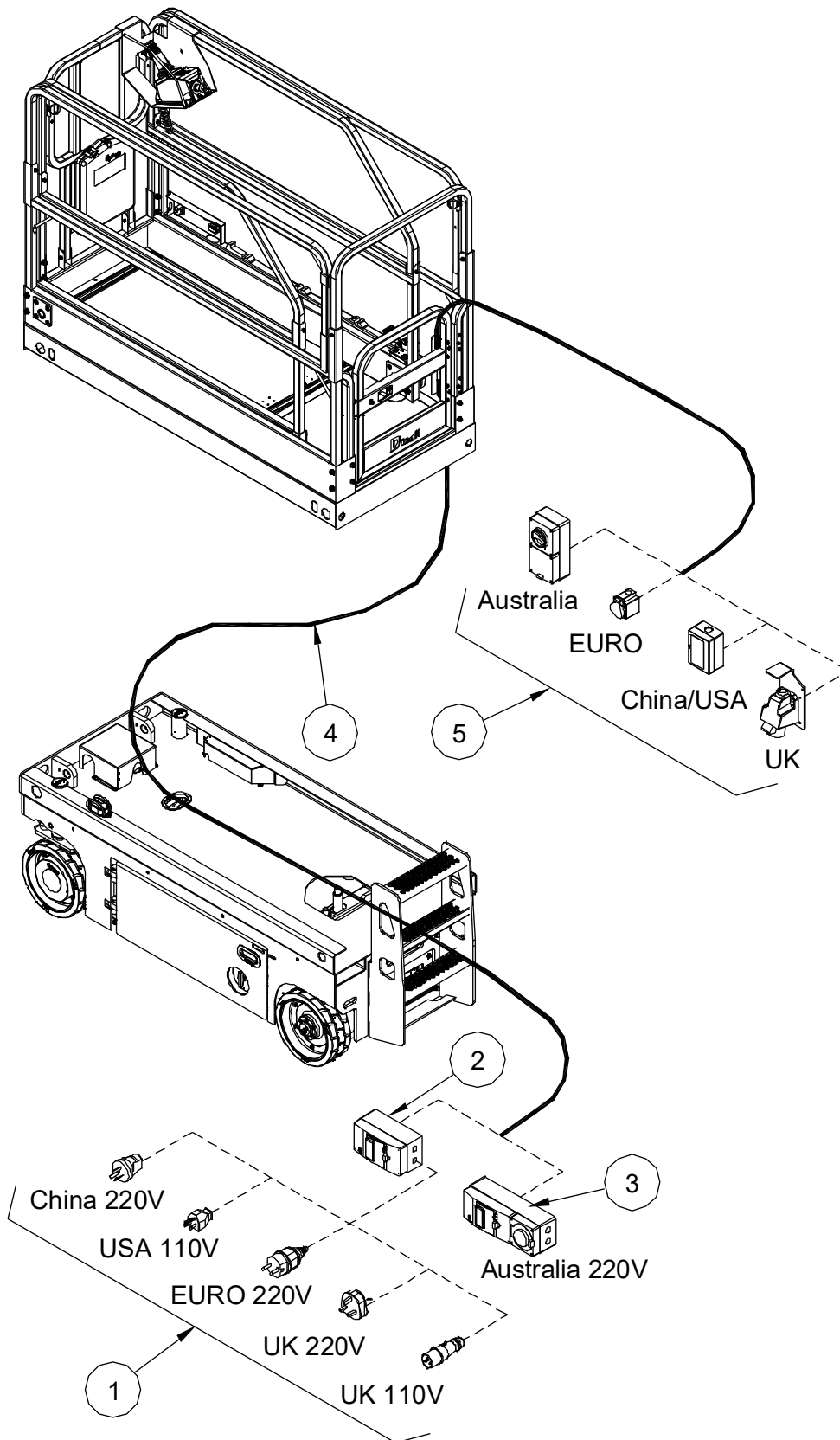
401.2 Electrical Harness (Lithium Battery)



401.2 Electrical Harness (Lithium Battery)

Item	Part No.	Description	Qty.
1	00009198	ECU harness	1
2	00010474	Load sensor harness	1
3	00007691	Platform control box harness	1
4	00009744	Sensor and limit switch harness	1
5	00009745	Lift down limit switch harness	1
6	00009203	Lift motor harness	1
7	00009205	Lift motor controller positive harness	1
8	00009206	Lift motor controller negative harness	1
9	00011086	Drive motor harness, right	1
10	00011085	Drive motor harness, left	1
11	00009743	Power harness	1
12	00008000	Power harness	1
13	00009749	Battery positive harness	1

402.1 Power to Platform

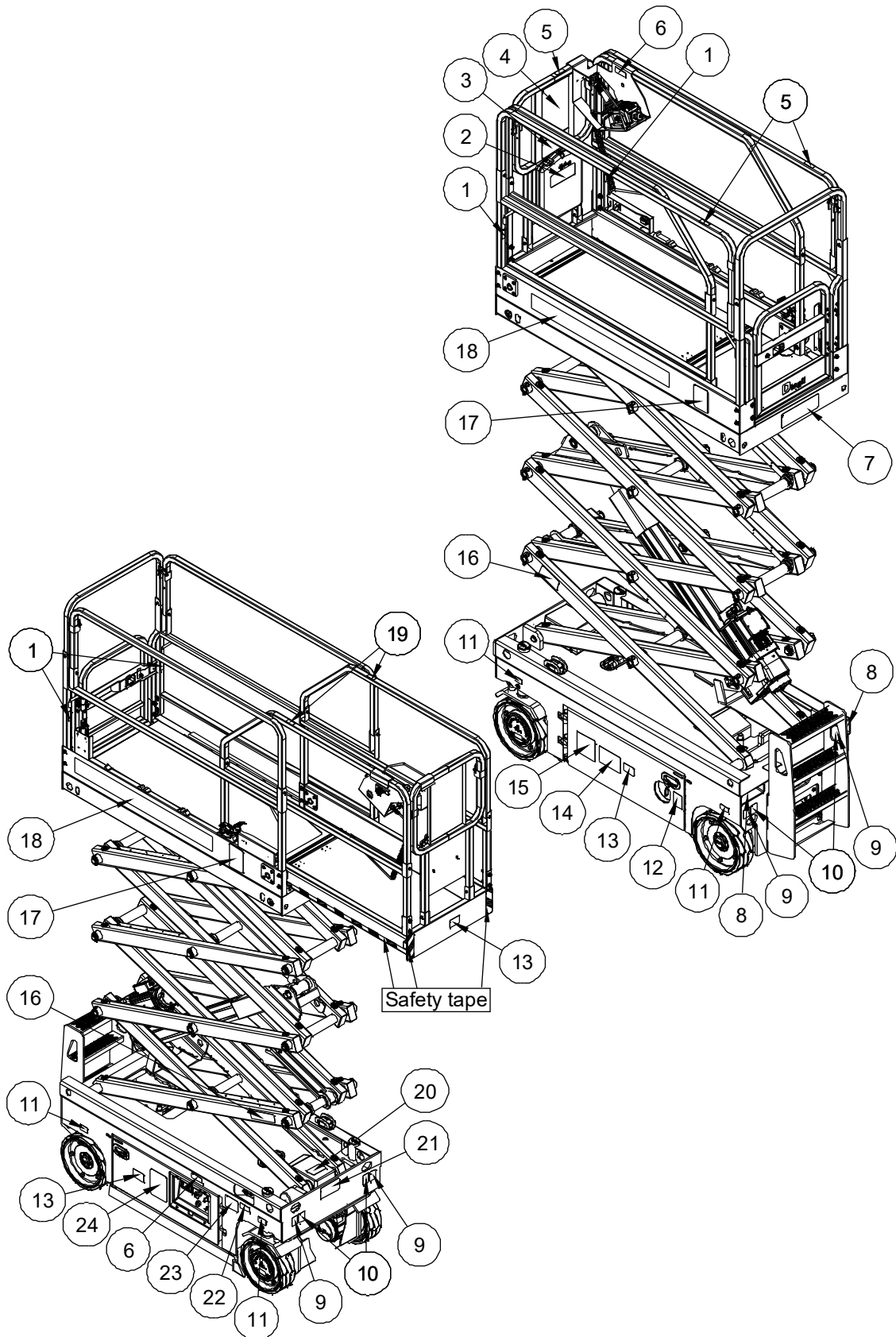


402.1 Power to Platform

Item	Part No.	Description	Qty.
1	00003148	AC plug (China 220V)	1
	00003149	AC plug (USA 110V)	1
	00003151	AC plug (European 220V)	1
	00003150	AC plug (UK 220V)	1
	00002615	AC plug (UK 110V)	1
2	00002634	Circuit breaker	1
3	00002603	AC plug (Australia 220V)	1
4	00003961	Wire cable, platform AC power	1
5	00002617	AC socket (Australia)	1
	00002709	AC socket (European)	1
	00000668	AC socket (China/USA)	1
	00004771	AC socket (UK) (AC socket bracket: 10016048)	1

Section 5 Decal


501.1 Decals with Words (CE)





501.1 Decals with Words (CE)


Item	Part No.	Description	Qty.
1	09440011	Decal, Label-Lanyard anchorage point	4
2	09340001	Decal, Notice-Keep the manual with the machine	1
3	09440003	Decal, Danger-Tip-over hazard, tilt-alarm	1
4	09440001	Decal, Danger-General safety rules	1
5	09340070	Decal, Symbols-Non operating hand position	3
6	09340003	Decal, Instructions-Refer the operator to the instructions for use	2
7	09440070	Decal, Label-Capacity 230kg	1
8	09310001	Decal, Instructions-Forklift pockets	2
9	09310003	Decal, Instructions-Tie down point	4
10	09310002	Decal, Instructions-Lift point	4
11	09310233	Decal, Instructions-Maximum wheel load 710kg 1562 lbs	4
12	09310064	Decal, Notice-Main power switch operation	1
13	09540001	Decal, Label-CE	3
14	09410129	Decal, Warning-Charge warning	1
15	09410001	Decal, Danger-Explosion/burn hazard	1
16	09430044	Decal, Danger-Safety arm	2
17	09440009	Decal, Caution-Max. manual force 400N (Indoor) 200N (Outdoor)	2
18	09640220	Decal, Label-JCPT0807PA	2
19	09440212	Decal, Warning-Crushing hazard	2
20	09410005	Decal, Danger-Do not alter or disable limit switch	1
21	09430003	Decal, Danger-Keep away from moving parts	1
22	09310004	Decal, Instructions-Emergency lower	1
23	09410232	Decal, Symbols-Slope rating	1
24	09410003	Decal, Warning-Inspected and operation properly	1


501.1 Decals with Words (CE)

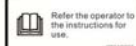
① 09440011 


② 09340001 


③ 09440003 


④ 09440037 


⑤ 09340005 


⑥ 09340003 


⑦ 09440304 


⑧ 09310001 


⑨ 09310003 


⑩ 09310002 


⑪ 09310233 


⑫ 09310064 


⑬ 09410007 


⑭ 09410129 


⑮ 09410001 

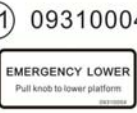
⑯ 09440302 

⑰ 09410005 

⑱ 09410003 

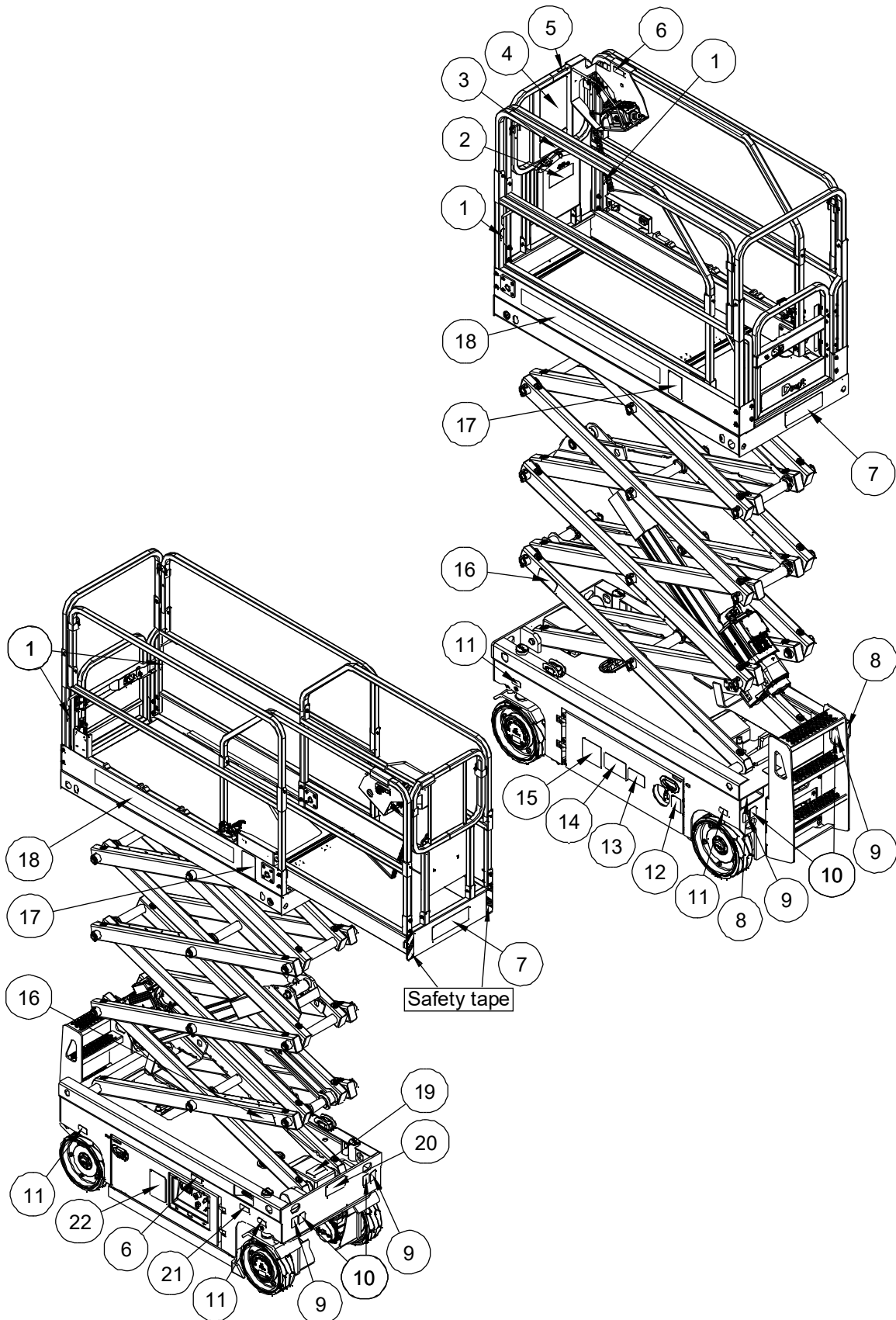
⑲ 09410005 

⑳ 09430003 

㉑ 09310004 

JCPT0807PA

501.2 Decals with Words (ANSI)




501.2 Decals with Words (ANSI)

Item	Part No.	Description	Qty.
1	09440011	Decal, Label-Lanyard anchorage point	4
2	09340001	Decal, Notice-Keep the manual with the machine	1
3	09440003	Decal, Danger-Tip-over hazard, tilt-alarm	1
4	09440037	Decal, Danger-General safety rules	1
5	09340005	Decal, Instructions-Platform controller normal position	1
6	09340003	Decal, Instructions-Refer the operator to the instructions for use	2
7	09440304	Decal, Label-Capacity 500 lbs 227kg	2
8	09310001	Decal, Instructions-Forklift pockets	2
9	09310003	Decal, Instructions-Tie down point	4
10	09310002	Decal, Instructions-Lift point	4
11	09310233	Decal, Instructions-Maximum wheel load 710kg 1562 lbs	4
12	09310064	Decal, Notice-Main power switch operation	1
13	09410007	Decal, Warning-Change battery (Lead-acid Battery)	1
	09410189	Decal, Warning-Change battery (Lithium Battery)	1
14	09410129	Decal, Warning-Charge warning	1
15	09410001	Decal, Danger-Explosion/burn hazard	1
16	09430044	Decal, Danger-Safety arm	2
17	09440302	Decal, Warning-Max. manual force 90 lbs 400N (Indoor) 45 lbs 200N (Outdoor)	2
18	09640220	Decal, Label-JCPT0807PA	2
19	09410005	Decal, Danger-Do not alter or disable limit switch	1
20	09430003	Decal, Danger-Keep away from moving parts	1
21	09310004	Decal, Instructions-Emergency lower	1
22	09410003	Decal, Warning-Inspected and operation properly	1

501.2 Decals with Words (ANSI)


① 09440011




② 09340001




⑤ 09340005



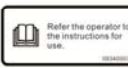
④ 09440037




③ 09440003




⑥ 09340003



⑧ 09310001




⑦ 09440304




⑨ 09310003




⑫ 09310064




⑩ 09310002




⑬ 09410007




⑬ 09410189




⑭ 09410129



⑪ 09310233




⑯ 09430044




⑳ 09430003




⑮ 09410001




⑰ 09440302




⑱ 09410005




㉒ 09410003



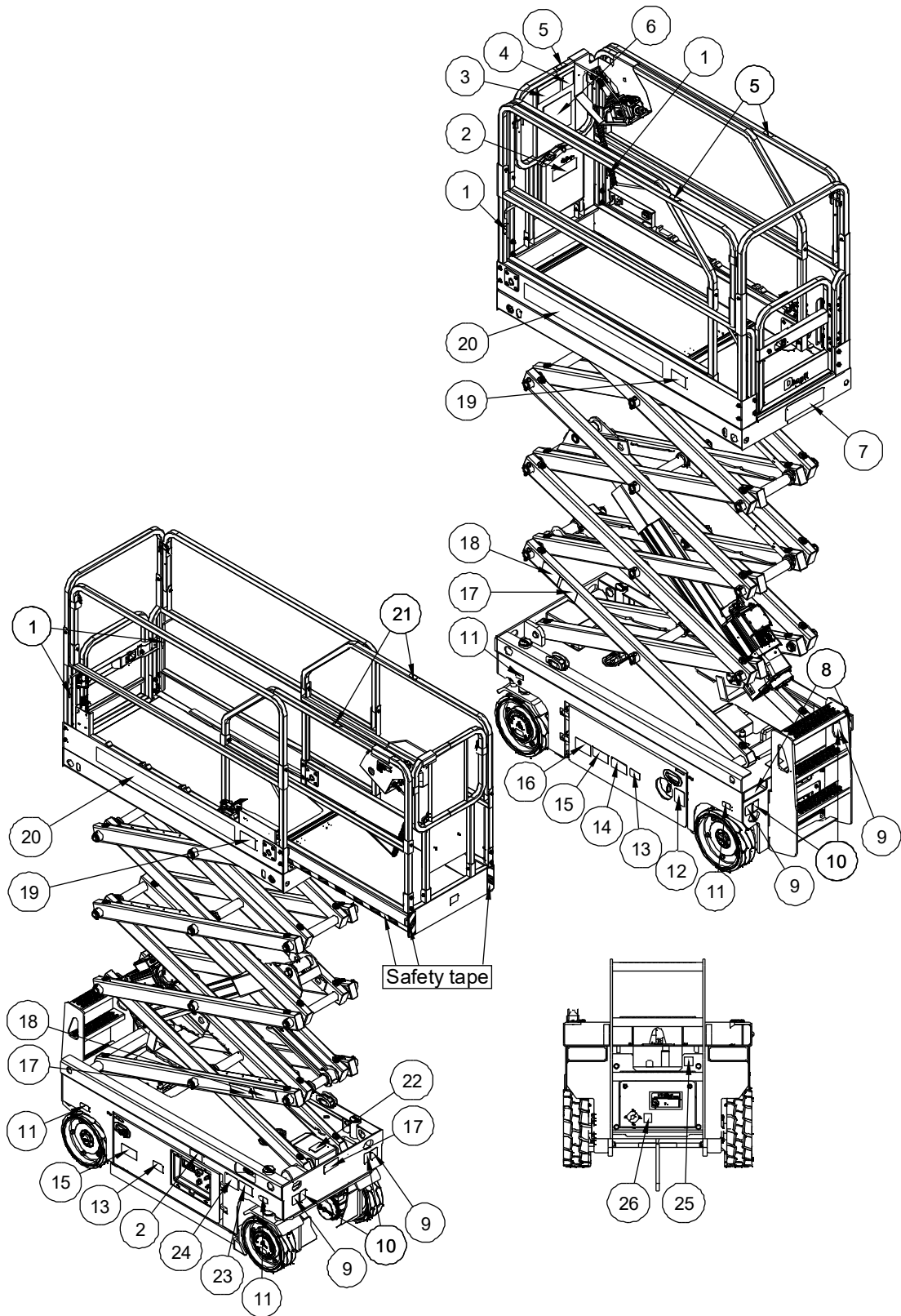
⑱ 09310004



⑱ 09640220



502.1 Decals with Symbols (CE)



502.1 Decals with Symbols (CE)

Item	Part No.	Description	Qty.
1	09440089	Decal, Label-Lanyard anchorage point	4
2	09340026	Decal, Symbols-Refer the operator to the instructions for use	2
3	09440090	Decal, Symbols-Tip-over hazard, tilt-alarm	1
4	09340028	Decal, Instructions-Directional arrows	1
5	09340070	Decal, Symbols-Non operating hand position	3
6	09440091	Decal, Symbols-General safety rules	1
7	09440070	Decal, Label-Capacity 230kg	1
8	09310001	Decal, Instructions-Forklift pockets	2
9	09310003	Decal, Instructions-Tie down point	4
10	09310002	Decal, Instructions-Lift point	4
11	09310233	Decal, Instructions-Maximum wheel load 710kg 1562 lbs	4
12	09310079	Decal, Symbols-Main power switch operation	1
13	09540001	Decal, Label-CE	3
14	09410048	Decal, Symbols-Explosion/burn hazard	1
15	09410049	Decal, Symbols-Electrocution hazard	2
16	09410147	Decal, Symbols-Charge warning	1
17	09430009	Decal, Symbols-Keep away from moving parts	3
18	09430008	Decal, Symbols-Safety arm	2
19	09440085	Decal, Symbols-Max. manual force 400N (Indoor) 200N (Outdoor)	2
20	09640220	Decal, Label-JCPT0807PA	2
21	09440212	Decal, Warning-Crushing hazard	2
22	09410051	Decal, Symbols-Do not alter or disable limit switch	1
23	09310096	Decal, Symbols-Emergency lower	1
24	09410232	Decal, Symbols-Slope rating	1
25	09310098	Decal, Symbols-Platform power instructions	1
26	09310099	Decal, Symbols-Battery charging instructions	1

502.1 Decals with Symbols (CE)

① 09440089 ② 09340026 ④ 09340028 ⑥ 09440091

⑧ 09310001 ③ 09440090 ⑤ 09340070

⑦ 09440070

⑨ 09310003 ⑩ 09310002 ⑬ 09540001 ⑭ 09410048

⑮ 09410049 ⑯ 09410147 ⑰ 09430009

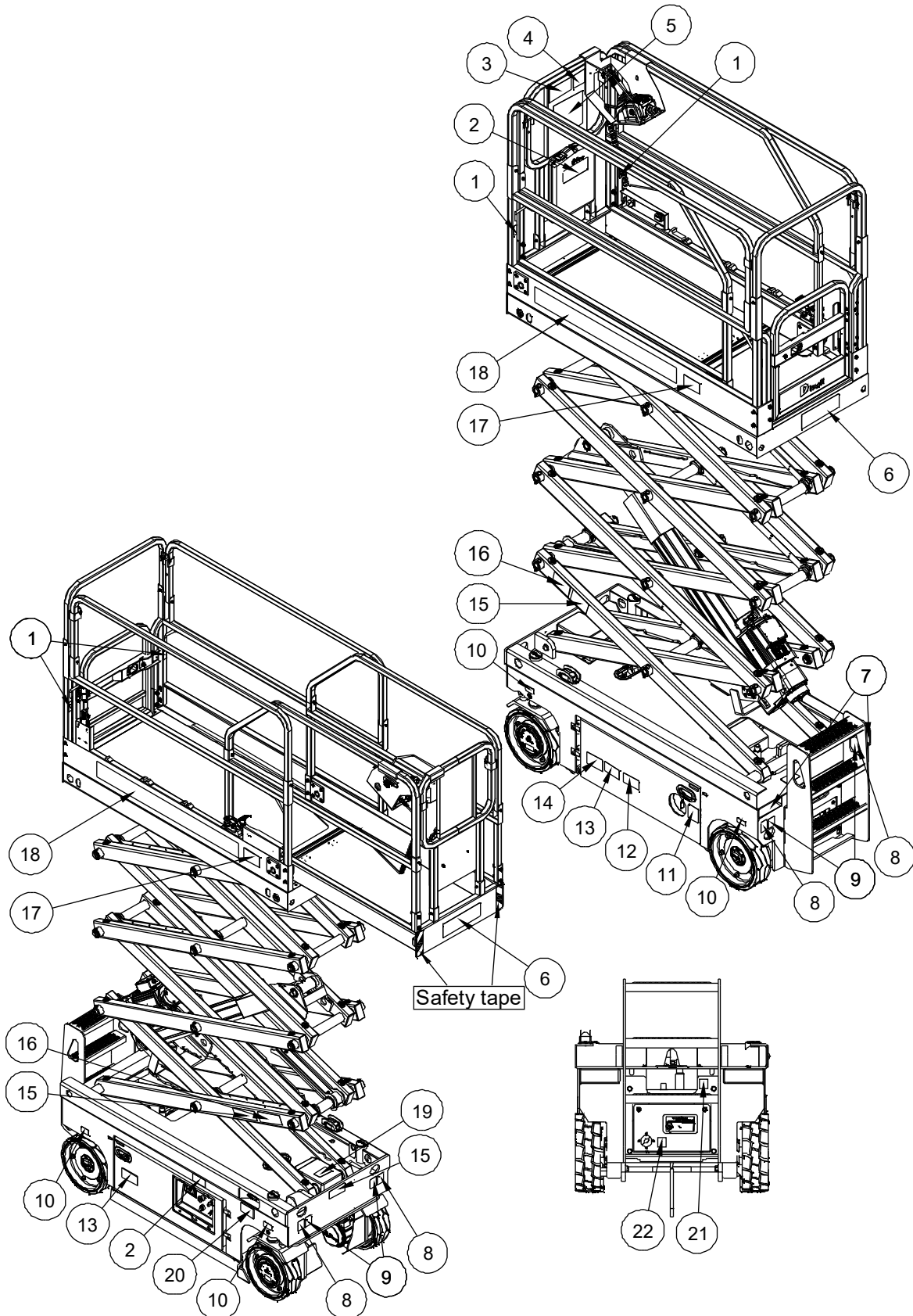
⑱ 09430008 ⑲ 09440085 ⑳ 09410051

㉑ 09440212 ㉓ 09310096 ㉔ 09410232 ㉕ 09310098 ㉖ 09310099

㉗ 09640220

JCPT0807PA

502.2 Decals with Symbols (ANSI)



502.2 Decals with Symbols (ANSI)

Item	Part No.	Description	Qty.
1	09440089	Decal, Label-Lanyard anchorage point	4
2	09340026	Decal, Symbols-Refer the operator to the instructions for use	2
3	09440090	Decal, Symbols-Tip-over hazard, tilt-alarm	1
4	09340028	Decal, Instructions-Directional arrows	1
5	09440091	Decal, Symbols-General safety rules	1
6	09440304	Decal, Label-Capacity 500 lbs 227kg	1
7	09310001	Decal, Instructions-Forklift pockets	2
8	09310003	Decal, Instructions-Tie down point	4
9	09310002	Decal, Instructions-Lift point	4
10	09310233	Decal, Instructions-Maximum wheel load 710kg 1562 lbs	4
11	09310079	Decal, Symbols-Main power switch operation	1
12	09410048	Decal, Symbols-Explosion/burn hazard	1
13	09410049	Decal, Symbols-Electrocution hazard	2
14	09410147	Decal, Symbols-Charge warning	1
15	09430009	Decal, Symbols-Keep away from moving parts	3
16	09430008	Decal, Symbols-Safety arm	2
17	09440085	Decal, Symbols-Max. manual force 400N (Indoor) 200N (Outdoor)	2
18	09640220	Decal, Label-JCPT0807PA	2
19	09410051	Decal, Symbols-Do not alter or disable limit switch	1
20	09310096	Decal, Symbols-Emergency lower	1
21	09310554	Decal, Symbols-Platform power instructions	1
22	09310528	Decal, Symbols-Battery charging instructions	1

502.2 Decals with Symbols (ANSI)

① 09440089  P/N 37421

② 09340026  P/N 37421

④ 09340028  P/N 44343

⑤ 09440091  P/N 37421

⑦ 09310001  P/N 37421

③ 09440090  P/N 37421

⑥ 09440304  P/N 37421

⑪ 09310079  P/N 44814

⑧ 09310003  P/N 37421

⑨ 09310002  P/N 37421

⑩ 09310233  P/N 37421

⑫ 09410048  P/N 37421

⑬ 09410049  P/N 37421

⑭ 09410147  P/N 37421

⑮ 09430009  P/N 37421

⑯ 09430008  P/N 37421

⑰ 09440085  P/N 37407

⑰ 09310526  P/N 37421

⑲ 09410051  P/N 36421

⑳ 09310096  P/N 37421

㉒ 09310528  P/N 37421

⑱ 09640220

JCPT0807PA

Zhejiang Dingli Machinery Co., Ltd.

No.188 Qihang Road. Deqing Zhejiang P.R.

China 313219

Tel: +86-572-8681688

Fax: +86-572-8681690

Web: www.cndingli.com

E-mail: market@cndingli.com

DINGLI